

CATALOG OF SPARE PARTS



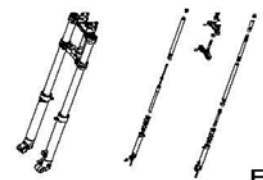
Codice Motociclo / Motorcycle cod. / Ref.Ciclo a Vitasse / Fahreg code /Codigo Motociclo

38.68130.001(125cc) 38.68110.001(200cc) 38.68100.001(250cc) 38.68120.001(270cc)

Dal numero telaio / From Frame number / De numero cadre / Ab fahrgestelnummer / Desde num.chassis

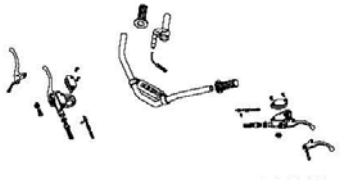
ZD3T3000170100001(125cc) ZD3T3000170150001(200cc) ZD3T3010470200001(250cc) ZD3T3010570300001(270cc)

Forcella
Front fork
Fourche avant
Gabel
Horquilla



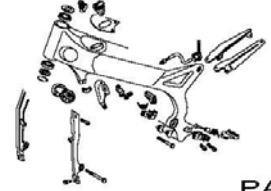
PAG. 3

Manubrio
Handlebar
Guidon
Manillar
Manillar



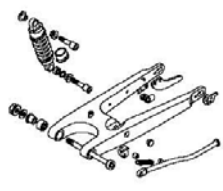
PAG. 4

Telaio
Frame
Cadre
Fahrgestell
Chassis



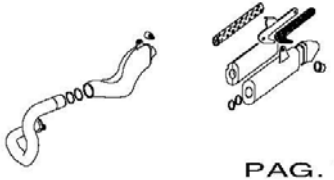
PAG. 5

Forcellone
Swinging arm
Bras oscillant
Schwingarm
Basculante



PAG. 6

Silenziatore e Marmitta
Silencer and muffler
Silencieux et pot d'echapp.
Auspuff
Silenciador




PAG. 7

Filtro e scatola aspirazione
Filter and injection box
Filtre et
Luftfilter und filterkasten
Filtro y escatula aspiracion



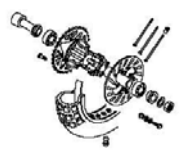
PAG. 8

Ruota anteriore
Front wheel
Roue avant
Vorderrad
Rueda delantera




PAG. 9

Ruota posteriore
Rear wheel
Roue arriere
Hinterrad
Rueda trasera



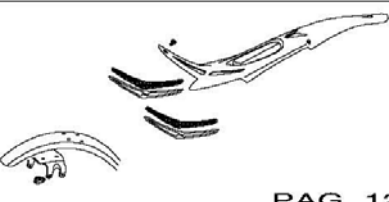
PAG. 10

Freni
Brakes
Freins
Bremsen
Frenos



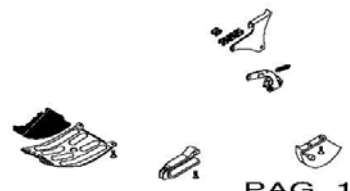
PAG. 11

Parafanghi
Fenders
Garde-boues
Kotflügel
Guardabarras



PAG. 12

Varie
Various
Divers
Teile
Varios



PAG. 13

Impianto elettrico
Electrical system
Installation électrique
Elektrische anlage
Instalacion electrica



PAG. 14

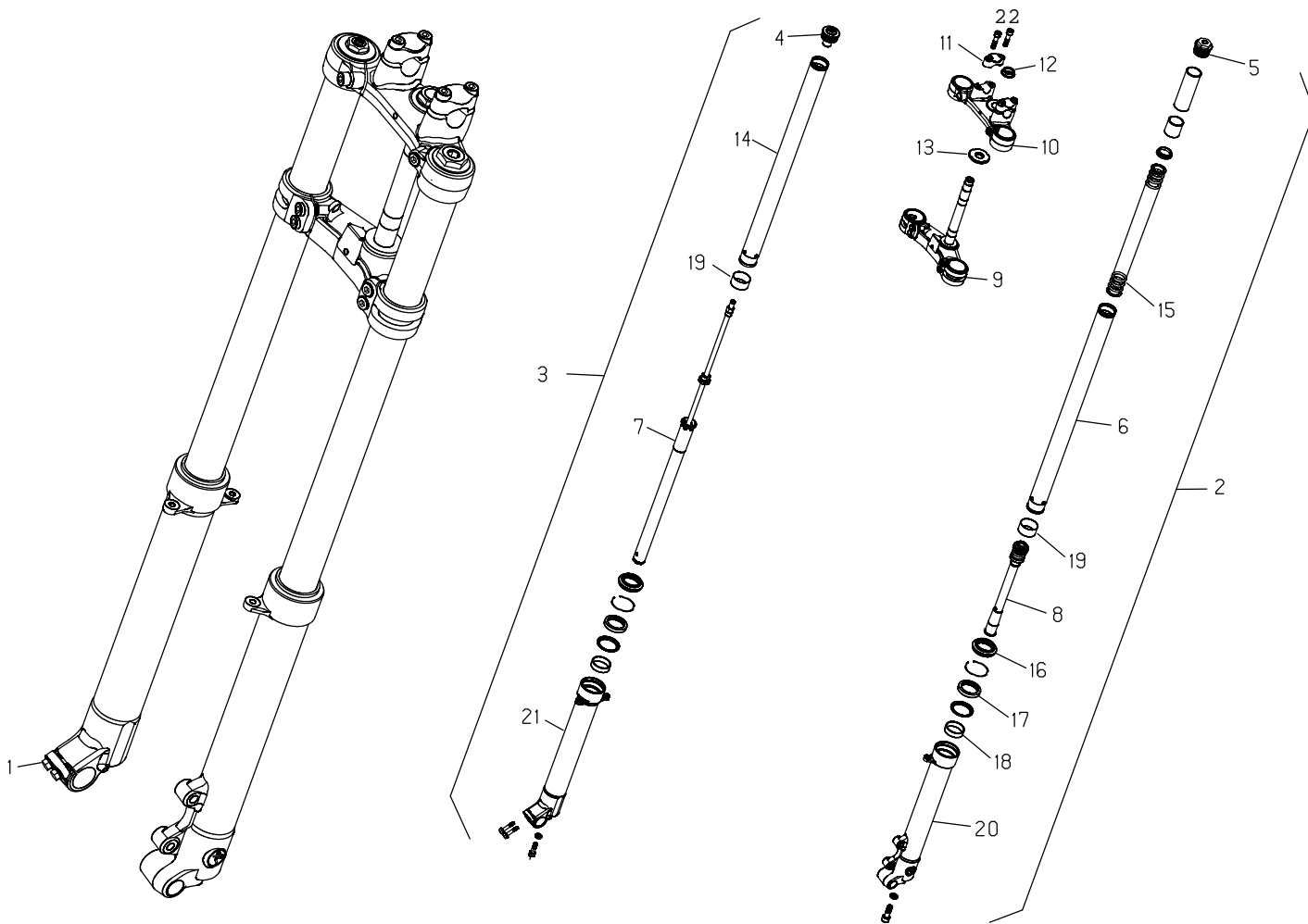
Radiatore
Radiator
Radiador
Kuhler
Radiador



PAG. 15

Particolari non figuranti
Not mentioned particulars
Particuliers pas mentionnes
Nicht verzeichnete teile
Particulares no figurados

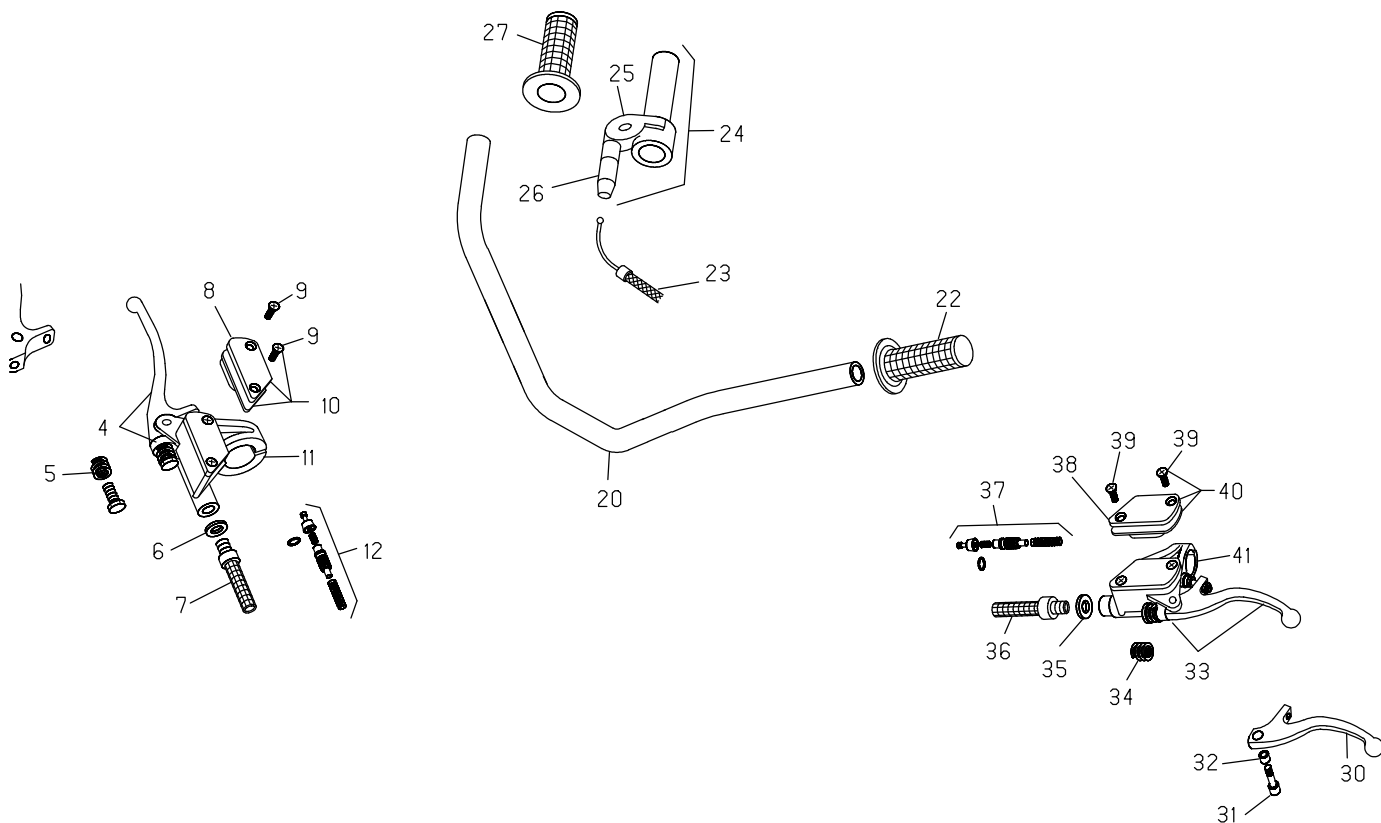
PAG. 16



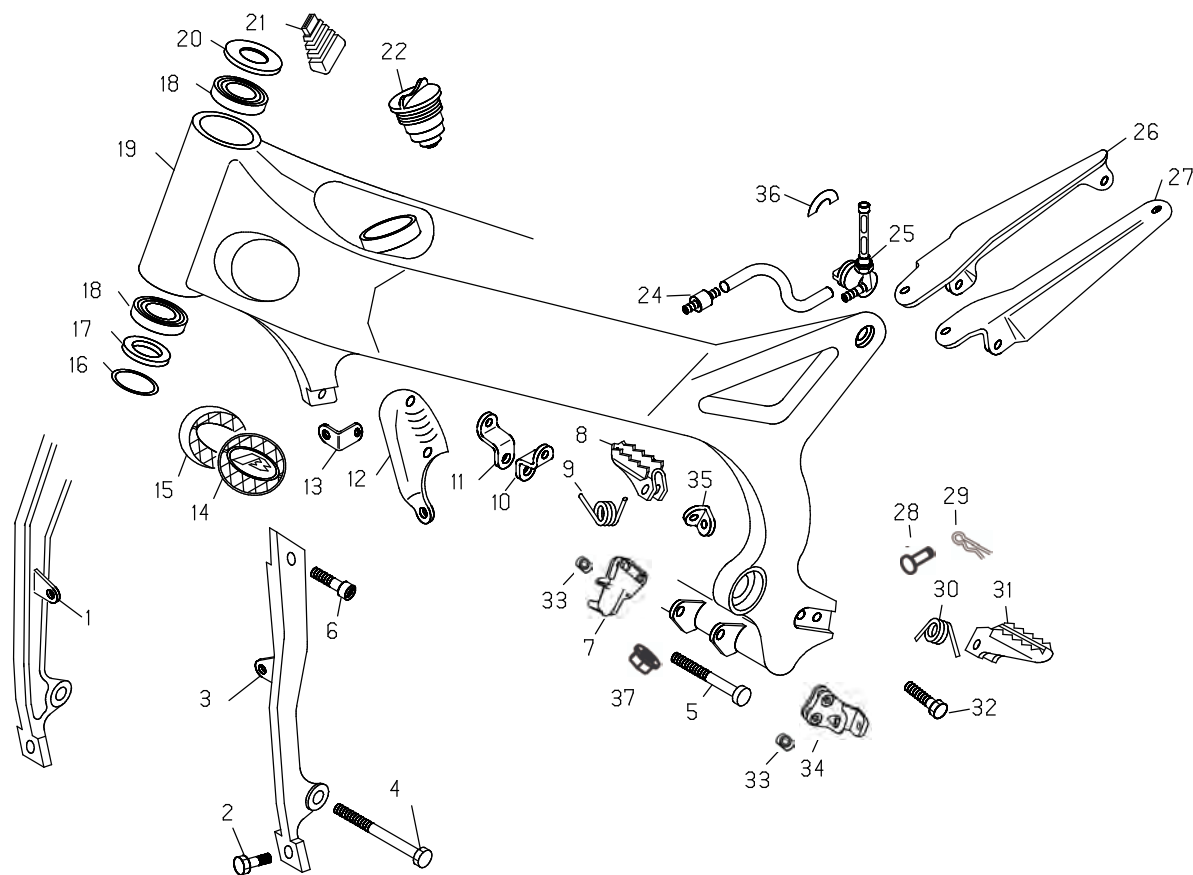
Pos	Number	Descrizione	Description	Description	Beschreibung	Descripción
1*	15-08059	Forcella	Front fork	Fourche	Gabel	Horquilla compl.
1#	15-08058	Forcella	Front fork	Fourche	Gabel	Horquilla compl.
2*	16-00991	Gamba forc.sx compl.	Complete left fork leg	Jante gauche compl.	Gabelbein li.	Horquilla izquierdo compl.
2#	16-00992	Gamba forc.sx compl.	Complete left fork leg	Jante gauche compl.	Gabelbein li.	Horquilla izquierdo compl.
3*	16-01010	Gamba forc.dx compl.	Complete right fork leg	Jante droit compl.	Standrohr re	Horquilla derecho compl.
3#	16-01009	Gamba forc.dx compl.	Complete right fork leg	Jante droit compl.	Standrohr re	Horquilla derecho compl.
4	29-01962	Tappo dx compl. Forc.	RH fork plug	Bouchon droit comp.	Re Gabel Stopfen	Tapon derecho compl.
5	29-01972	Tappo sx compl. Forc.	LH fork plug	Bouchon gauche comp.	Li Gabel Stopfen	Tapon izquierdo compl.
6*	29-40414	Tubo sx compl. Forc.	LH compl. Fork tube	Tube compl.Gauche forche	Gabelstandrohr links	Tubo izq. compl. Horquilla
6#	29-40412	Tubo sx compl. Forc.	LH compl. Fork tube	Tube compl.Gauche forche	Gabelstandrohr links	Tubo izq.compl. Horquilla
7*	12-32991	Cartuccia idraulica forcella	Hidraulic fork sparse	Cartouche hydraulique	Hydraulischer Gabeldaempfer	Cartucho hidraulico horquilla
7#	12-32990	Cartuccia idraulica forcella	Hidraulic fork sparse	Cartouche hydraulique	Hydraulischer Gabeldaempfer	Cartucho hidraulico horquilla
8	12-32982	Cartuccia meccanica forcella	Kit mechanic spares fork	Cartouche mecanique	Gabeldaempfer	Cartucho mecanica horquilla
9	12-09703-0-57	Crociera con cannotto	Low e yoke	Croisiere a/tube forche	Untere Gabelbrücke	Pletina con tubo
10	29-50187-0-57	Testata forcella	Fork head	Tete forche	Obere gabelbruecke	Culata horquilla
11	12-08258-0-57	Cavalotto focella	Handlebar racket	Bague forche	Lenkerbü cke Gabel	Abrazadera horquilla
12	11-70071	Bullone per cannotto forcella	Special bolt	Boulon pour jeu inf. Forche	Mutter Lenkschaft	Tornillo horquilla
13	16-20611	Ghiera cannotto forcella	Steering collar	Collier tete inf. Forche	Mutter Steuerkopf	Ghiera horquilla
14*	29-40462	Tubo dx completo forcella	RH compl. Fork tube	Tube compl. Droit fourche	Gabelstandrohr rechts	Tubo derecho compl. Horquilla
14#	29-40449	Tubo dx completo forcella	RH compl. Fork tube	Tube compl. Droit fourche	Gabelstandrohr rechts	Tubo derecho compl. Horquilla
15	22-52703	Molla forcella	Fork spring	Ressort forche	Gabel Feder	Muelle horquilla
16	10-41471	Anello parapolvere forcella	Front fork ring	Joint poussiere forche	Staubkappe	Junta parapolv o horquilla
17	10-41461	Anello di tenuta forcella	Fork oil seal	Bague d'etancheite forche	Dichtring RSU-Gabel	Junta horquilla
18	13-99940	D.U.gamba forcella	D.U. fork slider	Bague jambe de fourche	D.U. Gleitrohr	Casquillo brazo horquilla
19	13-99930	D.U. tubo forcella	D.U. fork tube	Bague tube de fourche	D.U. Gabelrohr	Casquillo tubo horquilla
20	16-18387-0-57	Gamba forcella sx nuda	Left fork slider	Jante gauche fourche	Gabelbein li.	horquilla izquierdo
21	16-18663-0-57	Gamba forcella dx nuda	Right fork slider	Jante droit fourche	Gabelbein rechts	horquilla derecho
22	31-63910	Vite brugola 8x30	Screw 8x30	Vis a tete a six pans 8x30	Schraube 8x30	Tornillo tce 8x30

* = Per motociclo / For motorcycle / Pour motocycle / Betrifft den motorrad / Por la moto **250-270cc**

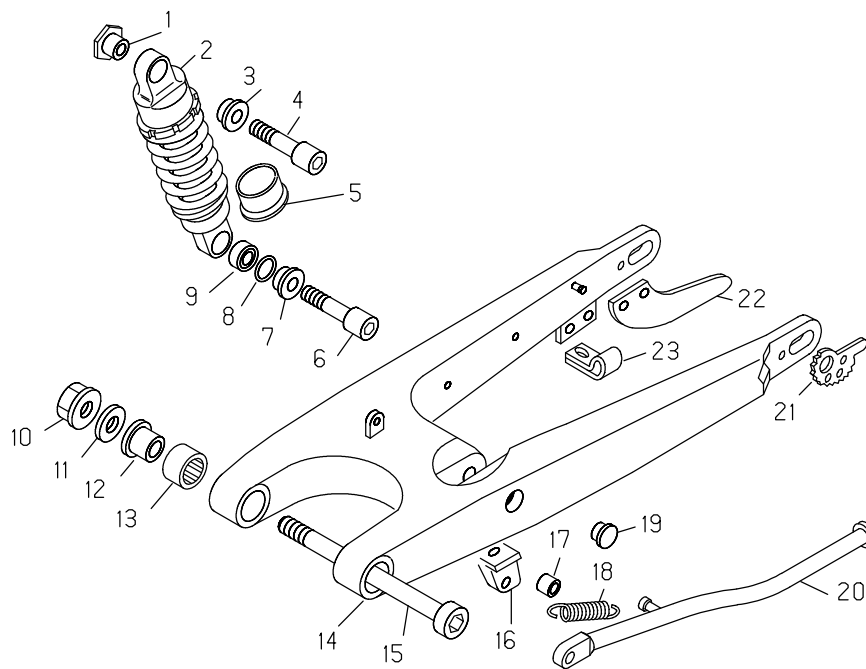
= Per motociclo / For motorcycle / Pour motocycle / Betrifft den motorrad / Por la moto **125-200cc**



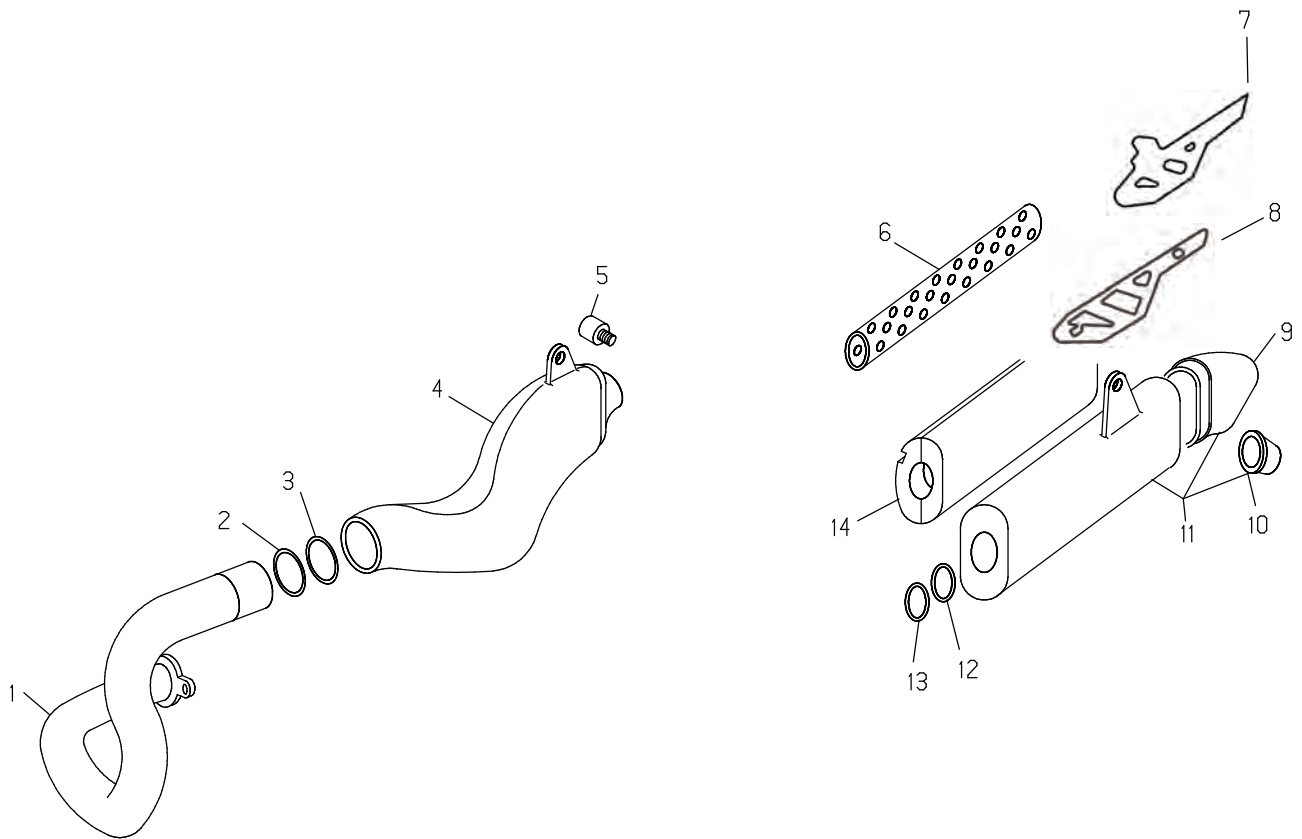
Pos	Number	Descrizione	Description	Description	Beschreibung	Descripción
1	21-27103	Leva freno anter.nuda	Front brake lever only	Levier frein avant nue	Bremshebel	Maneta freno
2	11-26465	Boccola x leva freno-friz.	Bush	Douille	Buche	Casquillo
3	31-96818	Vite spec.x leva freno-friz.	Screw	Vis	Schraube	Tornillo
4	21-02065	Leva com. freno anter.	Front brake lever	Levier complet frein avant	Bremsarmatur	Bomba freno delantero
5	22-38701	Molla registro leva freno ant.	Front brake lever adj. spring	Ressort enregistrement levier	Feder	Muelle regul. bomba freno
6	16-50510	Guarnizione 10x15x1 in rame	Gasket 10x15x1copper	Joint 10x15x1cuivre	Dichtung 10x15x1Kupfer	Junta 10.15.1 (cobre)
7	29-09123	Tubo freno anteriore	Front brake hose	Tube frein avant	Bremsleitung	Tubo freno delantero
8	12-68107	Coperchio serbatoio olio	Oil tank cover	Couvercle reservoir huile	Kuppl. Pumpe Deckel	Tapa deposito aceite
9	31-23410-0-52	Vite coperchio serbatoio olio	Screw	Vis couvercle reservoir huile	Schraube	Tornillo tapa deposito aceite
10	20-05075	Kit serbatoio olio pompa	Oil seal cover for pump	Jeu reservoir huile pompe	Reparaturatz Bremsarmatur	Jui ego deposito bomba aceite
11	12-55016	Collarino fissaggio leva	Fixing rest clutch lever	Petit collier fixation levier	Befestigung f. Bremshebel	Guarnicion fijacion palanca
12	20-05083-8	Kit pistoncino pompa	Piston kit for pump	Kit petit piston pompe	Reparaturatz Brems/Kupplu	Jrumeगतoupr iston bomba
20	22-20465	Manubrio	Handlebar	Guidon	Lenker	Manillar
22	22-18531	Manopole (coppia)	Grips (pair)	Poignees (couple)	Lenker Griffe	Puños goma (juego)
23	29-14795-0-52	Trasmissione gas	Throttle cable	Cable gas	Gaszug	Cable transmision gas
24	12-55029	Comando gas	Twist grip	Commande gaz	Gasgriff	Mando gas
25	12-55960	Coperchietto comando gas	Twist grip cover	Petit couvercle commande gaz	Decke Gasgriff Trial	Tapa mando gas tr.
26	16-34080	Gommino protezione registro	Throttle cable grommet	Caout.Prot.Poignee gaz	Schutztülle	Gomma prot. Mando gas
27	22-18531	Manopole (coppia)	Grips (pair)	Poignees (couple)	Lenker Griffe	Puños goma (juego)
30	21-27084	Leva com.friz.nuda	Clutch lever only	Levier compl.embrayage nue	Kupplungshebel	Maneta embrague
31	31-96818	Vite spec. X leva freno-friz.	Screw	Vis	Schraube	Tornillo
32	11-26465	Boccola x leva freno-friz.	Bush	Douille	Buche	Casquillo
33	21-02431	Leva com. frizione	Clutch lever	Levier complet embrayage	Kupplungsarmatur	Bomba embrague
34	22-38701	Molla registro leva freno ant.	Front brake lever adj. spring	Ressort enregistrement levier	Feder	Muelle regul. bomba freno
35	16-50510	Guarnizione 10x15x1 in rame	Gasket 10x15x1 copper	Joint 10x15x1 cuivre	Dichtung 10x15x1 Kupfer	Junta 10.15.1 (cobre)
36	29-09107	Tubo frizione Idraulica	Clutch hose	Tube embrayage	Kupplungsleitung	Tubo embrague hidraulico
37	20-05083-8	Kit pistoncino pompa	Piston kit for pump	Kit petit piston pompe	Reparaturatz Brems/Kuppl.	Jrumeगतoupr iston bomba
38	12-68106	Coperchio serbatoio olio	Oil tank cover	Couvercle reservoir huile	Kuppl. Pumpe Deckel	Tapa deposito aceite
39	31-23410-0-52	Vite coperchio serbatoio olio	Screw	Vis couvercle reservoir huile	Schraube	Tornillo tapa deposito aceite
40	20-05074	Kit serbatoio olio pompa	Oil seal cover for pump	Jeu reservoir huile pompe	Reparaturatz bremsarmatur	Duego deposito bomba aceite
41	12-55016	Collarino fissaggio leva	Fixing rest clutch lever	Petit collier fixation levier	Befestigung f. Bremshebel	Guarnicion fijacion palanca



Pos	Number	Descrizione	Description	Description	Beschreibung	Descripción
1	29-11339	Telaio collegamento dx	RH connecting frame rod	Cadre connexion droit	Strebe Rahmenre	Subchasis dch.
2	11-54521	Bullone 8x16 rs c/rond. ch10	Bolt 8x16 ch10	Boulon 8x16 rs a/rond.ch10	Schraube 8x16 ch 10	Tornillo 8.16 rs c/arandela
3	29-11346	Telaio collegamento sx	LH connecting frame rod	Cadre connexion gauche	Strebe Rahmen li	Subchasis izq.
4	11-63955	Bullone 10x135 pf ch17 rs	Bolt 10x135	Boulon 10x135 pf ch17 rs	Bolzen 10x135	Tornillo 10.135 pf ch 17 rs
5	31-65627	Vite brugola 10x100x1,25	Screw 10x100x1,25	Vis a tete a six pans 10x100	Schraube 10x100x1,25	Tornillo tce 10x100x1,25
6	31-63881	Vite brugola 8x16 bassa	Screw 8x16	Vis a tete a six pans 8x16bas	Schraube 8x16	Tornillo allen tce 8.16
7	28-99294	Supporto pedana p/piedi dx	RH footrest bracket	Support repose-pieds droit	Rastenhalterre	Soporte estribera derecho
8	25-32522	Pedana poggiapiedi dx	RH footrest	Repose-pieds droit	Fußraste re.	Estribera dhc
9	22-62010	Molla pedana dx	Footrest spring	Ressort repose-pied droit	Rasten/Feder re.	Muelle derch. Estribera
10	28-97415	Staffa supporto cilindro	Cylinder bracket	Etrier support cylindre	Strebe Zylinder-Rahmen li/re	Soporte culata/cilindro
11	28-97415	Staffa supporto cilindro	Cylinder racket	Etrier support cylindre	Strebe Zylinder-Rahmen li/re	Soporte culata/cilindro
12	28-95327-0-59	Supporto bobina	Coil racket	Support bobine	Zündspulenschutz	Soporte bobina
13	28-97019	Staffa supporto attac.bobina	Plait, coil racket	Etrier superieur fixation bobine	Haelterzuendspule	Soporte bobina
14	16-44563-1-59	Griglia presa aria sx telaio	Frame lf grill	Grille prise d'air gauch.cadre	Rahmendeckel li. REV-3	Rejilla toma aire sx chasis
15	16-44562-1-59	Griglia presa aria dx telaio	Frame rh grill	Grille prise d'air droite cadre	Rahmendeckel re. REV-3	Rejilla toma aire dx chasis
16	10-66860	Anello OR 34,60 x2,62	OR 34,60x2,62	OR 34,60x2,62	Wedj 34,60x2,62	Junta torica 34,60x2,62
17	10-67390	Anello parapolvere forcella	F/fork dust ring	Cache poussiere forche	F/Gabel Aluminium Ring	Junta guardapolvo direccion
18	12-98300	Cuscinetto conico 20x42x15	Conical bearing 20x42x15	Roulement conique 20x42x15	Lager 20x42x15	Cojinete conico 20.42.15
19	29-11485-8	Telaio anteriore	Front frame	Cadre avant	Gutschrift Rahmen	Chasis
20	28-17750	Scodellino parapolvere forc.	Retainer upper fork	Cuvette pour fourche	Lagerschale oben	Arandela guardap.sup.horq.
21	16-21910-0-59	Gommino passafili	Gulding-slit rubber	Pastilles en caoutchouc x fils	Kabelführung	Goma pasacables
22	29-10512-8-59	Tappo serb.benz. c/valvola	Fuel tank plug w/breat. Valve	Bouchon reservoir essence	Tankdeckel	Tapon gasolina con valvula
24	15-24651	Filtro benzina	Gasoline filter	Filtre essence	Benzinfilter	Filtro gasolina
25	27-79951	Rubinetto miscela	Petcock	Robinet melange	Benzinhahn	Grifo gasolina
26	28-97018	Staffa sup. dx scatola filtro	Plait, air filter box	Etrier superieur boite de filtre	Rahmenheck rechts	Placa sop. caja filtro dx
27	28-97017	Staffa sup. sx scatola filtro	Plait, air filter box	Etrier superieur boite de filtre	Rahmenheck links	Placa sop. caja filtro sx
28	25-54467	Perno pedana poggiapiedi	Pin	Pivot	Zapfen	Perno
29	12-81993	Copiglia 3x20	Split pin, 3x20	Goupille 3x20	Splint f. 3x20	Splint fuer
30	22-62020	Molla pedana sx	Footrest spring	Ressort repose-pied gauche	Rasten/Feder li.	Muelle izqui. Estribera
31	25-32532	Pedana poggiapiedi sx	LH footrest	Repose-pieds gauche	Fußraste li.	Estribera izq.
32	11-55050	Bullone 8x25 ch13 rs	Bolt 8x25	Boulon 8x25 ch13 rs	Bolzen 8x25	Tornillo 8.25 ch 13 rs
33	18-84645	Inserto speciale M8	Bush, M8	Insert M8	Im kaefig M8	En jaula M8
34	28-99304	Supporto pedana p/piedi sx	LH footrest bracket	Support repose-pieds gauch.	Rastenhalter li	Soporte estribera izquierdo
35	28-97358	Staffa	Bracket	Etrier	Klemme	Soporte
36	29-02021-1	Targhetta posizione rubinetto	Tap plate	Plaqueette robinet	Hahnsposition Schild	TarJeta posicion robinete
37	13-21050	Dado autob.flag. M10X1,25	Nut m10x1,25 on	E'crou 10x1,25nt	Mutter 10x1,25	Tuerca 10x1,25



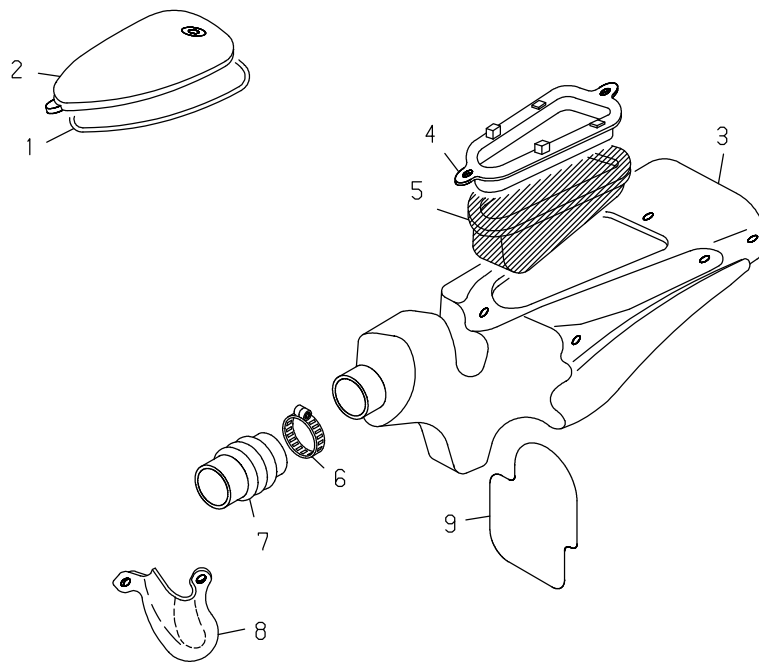
Pos	Number	Descrizione	Description	Description	Beschreibung	Descripción
1	13-21847	Dado spec. ammortizzatore	Nut special shock absorber	Ecrou spec. amortisseur	Mutter Federbeinaufnahme	Tuerca especial amort.
2	10-03727	Ammortizzatore	Shock absorber	Ammortisseur	Stossdämpfer	Amortiguador
3	11-28811	Boccola per snodo sferico	Bush spherical bearing	Douille pour joint a rotule	Buchse	Casquillo para rotula amort.
4	11-65022	Bullone spec.Ammortiz.	Special bolt shock absorber	Boulon spec. Ammortisseur	Schraube Stossdämpferbef.	Tornillo esp. Amortiguador
5	15-39100	Fodero copristelo ammortiz.	Leg protection	Train flottage couvre-tige am.	Federteller Stossdämpfer	Protector amortiguador
6	11-65022	Bullone spec. Ammortiz.	Special bolt shock absorber	Boulon spec. Ammortisseur	Schraube Stossdämpferbef.	Tornillo esp. Amortiguador
7	11-28813	Boccola per snodo sferico	Bush spherical bearing	Douille pour joint a rotule	Hülse Federbein oben	Casquillo para rotula amort
8	10-67361	Anello OR ammortizzatore	Swinging arm OR	OR ammortisseur	O-Ring	Junta torica amortiguador
9	28-93251	Snodo sferico ammortiz.	Shock absorber spheric juct.	Joint a rotule ammortisseur	Kugelgelenk	Rotula esferica amortiguador
10	13-29510	Dado spec. 16x1,25	Special nut 16x1,25	Ecrou spec. 16x1,25	Schwinge spezial Mutter	Tuerca esp. 16.1,25 basc.
11	27-67500-0-60	Rondella spess. 16x25x0,6	Washer 16x25x0,6	Rondelle epais. 16x25x0,6	Scheibe 16x25x0,6	Arandela spec. 16.25.0,6
12	13-49200	Distanziale forcellone	Spacer	Entretoise bras osc.	Distanz Schwingenlagerung	Distanciador basculante
13	11-23000	Boccola a rulli 22x28x18	Needle bearing 22x28x18	Douille a roulem. 22x28x18	Nadellager 22x28x18	Cojinete agijas 22.28.18 basc.
14	15-49596-8	Forcellone con elicoidi	Swinging arm assy	Bras oscillant compl,elicoide	Schwinge	Basculante
15	25-55771	Perno forcellone	S/arm spindle	Pivot bras ascillant	Schwingenachse	Eje basculante
16	28-98575-0-66	Supporto cavalletto	Stand bracket	Support bequille	Halter Sertenstaender	Soporte caballete
17	13-46300	Distanziale cavalletto	Spacer stand	Entretoise bequille	Distanz REV	Distanciador caballete
18	22-47024	Molla cavalletto	Slide stand spring	Ressort bequille	Feder Ständer	Muelle caballete
19	29-10593	Tappo in gomma forcellone	Rubber plug, s/arm	Bouchon en caoutchouc	Stopfen Schwinge	Tapa goma basculante
20	12-39934-0-66	Cavalletto	Stand	Bequille	Seitenständer	Caballete
21	29-11860	Tendicatena	Chain tensioner	Tendeur	Kettenspanner	Tensor cadena
22	25-98955	Protezione corona	Rear sprocket protection	Protection couronne	Kettenblattschutz	Protector corona trial
23	15-14300	Fascetta fissaggio tubo freno	Clamp	Collier fix. tube frein arriere	Befestigungschelle Brems.	Bhrida fijacion freno post.



Pos	Number	Descrizione	Description	Description	Beschreibung	Descripción
1 *	29-16283	Tubo scarico	Exhaust tube	Tube vidange	Krümmer	Tubo escape parte
1 #	29-16284	Tubo scarico	Exhaust tube	Tube vidange	Krümmer	Tubo escape parte
2	10-67100	Anello OR 52,07x2,62 vyton	OR 52,07x2,62 vyton	OR 52,07x2,62 vyton	O-Ring 52,07x2,62 vyton	Junta torica 52,07x2,62 vyton
3	10-67100	Anello OR 52,07x2,62 vyton	OR 52,07x2,62 vyton	OR 52,07x2,62 vyton	O-Ring 52,07x2,62 vyton	Junta torica 52,07x2,62 vyton
4 °	22-03355	Marmitta centrale	Muffler	Pot d'echappement central	Mittelschalldämpfer	Escape central
4 +	22-03359	Marmitta centrale	Muffler	Pot d'echappement central	Mittelschalldämpfer	Escape central
5	28-91947	Silent-block marmitta	Silent-block	Silent-block pot d'echap.	Silent-Block	Silent-block escape
6 *	29-16265	Tubo interno silenziatore	Inner tube silencer	Tube interieur silencieux	Krümmer	Tubo interior silenciador
6 #	29-16275	Tubo interno silenziatore	Inner tube silencer	Tube interieur silencieux	Krümmer	Tubo interior silenciador
7 *	12-88414	Coprimarmitta centrale	Muffler cover	Cache pot d'echappement	Karbonabdeckung Schalldäm.	Cubresilencioso final
7 #	12-88413	Coprimarmitta centrale	Muffler cover	Cache pot d'echappement	Karbonabdeckung Schalldäm.	Cubresilencioso final
8	15-02516	Feltro isolante per marmitta	Saundproofing felt for muffler	Feutre isolant pot d'echapp.	Daemmaterial Karbonabdesck	Fieltro embrague
9	12-54321-0-59	Codino silenziatore	Silencer terminal	Queue silencieux	Endschalldämpferkappe	Colin silencioso rev 3
10	16-29602	Gommino per codino silenziatore	Silencer grommet	Caot.pour queue silencieux	Gummi Schalldämpfer	Goma silenciador
11 *	28-91875	Silenziatore completo	Silencer complete	Silencieux complet	Endschalldämpfer	Silenciador completo
11 #	28-91882	Silenziatore completo	Silencer complete	Silencieux complet	Endschalldämpfer	Silenciador completo
12	10-66680	Anello OR 28,25x2,62 vyton	OR 28,25x2,62 vyton	OR 28,25x2,62 vyton	O-Ring 28,25x2,62 vyton	Junta torica 28,25x2,62 vyton
13	10-66680	Anello OR 28,25x2,62 vyton	OR 28,25x2,62 vyton	OR 28,25x2,62 vyton	O-Ring 28,25x2,62 vyton	Junta torica 28,25x2,62 vyton
14	25-94585	Preformato silenziatore	Inner component, silencer	Pre-format silencieux	Daemmaterial	Fibra cartucho silencioso

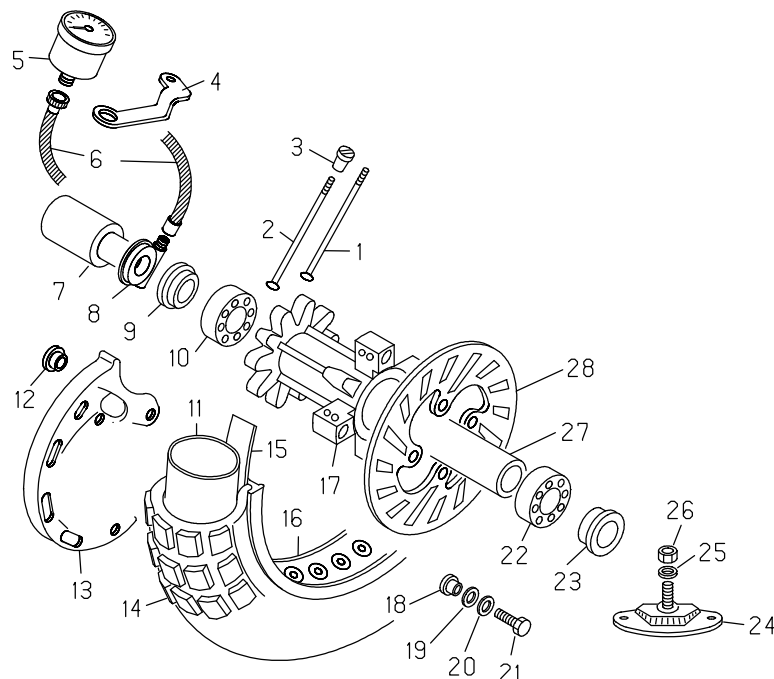
* = Per motociclo / For motorcycle / Pour motocycle / Betrifft den motorrad / Por la moto **200-250-270cc**
= Per motociclo / For motorcycle / Pour motocycle / Betrifft den motorrad / Por la moto **125cc**

° = Per motociclo / For motorcycle / Pour motocycle / Betrifft den motorrad / Por la moto **200-250cc**
+ = Per motociclo / For motorcycle / Pour motocycle / Betrifft den motorrad / Por la moto **125-270cc**



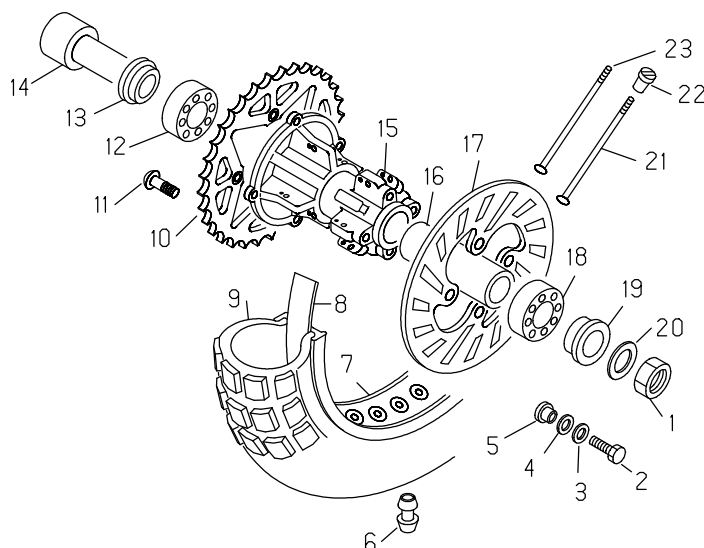
Pos	Number	Descrizione	Description	Description	Beschreibung	Descripción
1	16-75910	Guarnizione 5mm	Gasket 5mm	Joint 5mm	Dichtgummi Luffilterdeckel	Goma caja filtro d5x500
2	12-73214-0-51	Coperchio accesso a filtro	Air filter cover	Couvercle filtre	Deckel Luffilterkasten	Tapa guardabarros tras. Filtro
3*#	28-12779-0-59	Scatola filtro	Air filter box	Boite de filtre	Filterkasten	Caja filtro aire
3°	28-12746-0-59	Scatola filtro	Air filter box	Boite de filtre	Filterkasten	Caja filtro aire
4	28-98099-0-59	Supporto fissaggio filtro	Filter bracket	Support fixation filtre	Halter Lufi	Soporte fij.filtro
5	15-26053	Filtro in spugna	Air filter	Filtre en eponge	Luffilter	Espuma filtro
6*#	15-15400	Fascetta 40x60	Clamp 40x60	Collier 40x60	Schlauchbinder 40x60	Brida 40/60
6°	15-15380	Fascetta 32x50	Clamp 32x50	Collier 32x50	Schlauchbinder 32x50	Brida 32/50
7*#	22-13643	Manicotto scatola filtro	Rubber sleeve	Douille boite de filtre	Gummischlauch verga-luft.	Manguito caja filtro
7°	22-13641	Manicotto scatola filtro	Rubber sleeve	Douille boite de filtre	Gummischlauch verga-luft.	Manguito caja filtro
8	13-36050	Deflettore ammortizzatore	Baffle absorber shock	Deflecteur amortisseurur	Stossdämpferschutz	Deflector amortiguador trasero
9	25-24412	Paraschizzi scatola filtro	Filter box mudguard	Cache-taches boite de filtre	Spritzschutz Luffilter	Faldon goma caja filtro

= Per motociclo / For motorcycle / Pour motorcycle / Betrifft den motorrad / Por la moto **125cc**
 ° = Per motociclo / For motorcycle / Pour motorcycle / Betrifft den motorrad / Por la moto **200cc**
 * = Per motociclo / For motorcycle / Pour motorcycle / Betrifft den motorrad / Por la moto **250-270cc**



Pos	Number	Descrizione	Description	Description	Beschreibung	Descripción
1	27-24196	Raggio 3x254 c.169	Spoke 3x254 c.169	Rayon 3x254 c.169	Speiche 3x254 c.169	Radio 3x254 c.169
2	27-24197	Raggio 3x256 c.169	Spoke 3x256 c.169	Rayon 3x256 c.169	Speiche 3x256 c.169	Radio 3x256 c.169
3	23-10100	Nipples	Nipples	Nipples	Nippel	Nipples
4	28-97232	Staffa supporto conta-Km	Bracket	Etrier support compteur	Klemme	Soporte cuenta km.
5	12-09361	Conta km	Speedometer	Compteur	Tachometer	Cuenta km. tr.
6	29-25406	Trasmissione conta-Km	Speedometer cable	Cable compteur	Tachowelle	Cable cuenta km.
7	25-56813	Perno "ergal" ruota anteriore	Front wheel axle	Pivot roue avant	Vorderradachse	Eje ergal rueda delantera
8	27-32462	Rinvio conta-Km	Speed-drive	Renvoi compteur	Tachoantrieb	Reenvio cuenta km.
9	13-85764	Distanziale mozzo ant.Sx/Dx	LH and RH front hub spacer	Entretoise moyeu avant	Distanz li/re	Dist.,buje delt.04 izq. l/disco
10	12-98010	Cuscinetto 20X42X12stagno	Ball bearing 20x42x12	Roulement20x42x12etanche	Kugellager 20x42x12	Cojinete 20.42.12 blindado
11	12-16410	Camera 2,75x21	Tube 2,75x21	Tube 2,75x21	Schlauch 2,75x21	Camara 21ab
12	13-55240	Distanziale copridisco anter.	Spacer	Entretoise couvercle disq.av.	Distanz	Distanciador cubredisco ant.
13	12-88265-1-59	Copridisco anter.	Front brake disk cover	Cache disque avant	Bremsscheibenabdeckung v.	Cubredisco ant.
14	12-79400	Copertura 2,75x21	Tire 2,75x21	Couverture 2,75x21	Reifen 2,75x21	Cubierta 2.75x21 trial
15	15-38200	Flap 21x25	Bead 21x25	Flap21x25	Felgenband 21x25	Flap cinta tapa radios 21.25
16*#	12-42532	Cerchio 21x1,6x32	Rim 21x1,6x32	Jante 21x1,6x32	Felge 21X1,6X32	Llanta morad 21.1,6-32
16°	12-42531	Cerchio 21x1,6x32	Rim 21x1,6x32	Jante 21x1,6x32	Felge 21X1,6X32	Llanta morad 21.1,6-32
17	22-07194-0-57	Mozzo anteriore c/cuscinetti	Front hub with ballbearing	Moyeu avant avec roulem.	Nabe vo.	Buje ant.c/cojinetes
18	13-62251	Distanziale disco freno	Spacer	Entretoise disque roues	Distanz	Distanciador disco
19	22-31980	Molla a Tazza	Cup spring	Ressort disque	Federscheibe	Muelle disco
20	27-57510	Rondella spess. 6x18,5x1	Washer 6x18,5x1	Rondelle epaisseur 6x18,5x1	Scheibe 6x18,5x1	Arandela spess. 6.18.5.1
21	11-49510	Bullone 6x25 ch10 rs	Bolt 6x25	Boulon 6x25 ch10 rs	Bolzen 6x25	Tornillo 6.25 ch 10 rs
22	12-98010	Cuscinetto20X42X12stagno	Ball bearing 20x42x12	Roulement 20x42x12	etanche Kugellager20x42x12	Cojinete 20.42.12 blindado
23	13-85764	Distanziale mozzo ant.Sx/Dx	LH and RH front hub spacer	Entretoise moyeu avant	Distanz li/re	Dist.,buje delt.04 izq. l/disco
24	15-17500	Fermafascioni	Tire fastener	Caoutchouc serrure chambre	Reifen Halter	Agarre cubierta ant.
25	27-48000	Rondella 8grower	Washer 8 grower	Rondelle 8 grower	Scheibe 8	Arandela grower 8
26	13-17000	Dado 8x8 ch13	Nut 8x8	Ecrou 8x8 ch13	Mutter 8x8	Tuerca 8.8 ch13
27	13-62703	Distanziale int. mozzo anter.	Front hub inner spacer	Entretoise int. moyeu avant	Distanzscheibe	Distanciador int buje del.
28*#	13-39279	Disco freno anteriore	Front brake disk	Disque frein avant	Bremsscheibe vo.	Disco trial delantero
28°	13-39277	Disco freno anteriore	Front brake disk	Disque frein avant	Bremsscheibe vo.	Disco trial delantero

= Per motociclo / For motorcycle / Pour motocycle / Betrifft den motorrad / Por la moto **125cc**
 ° = Per motociclo / For motorcycle / Pour motocycle / Betrifft den motorrad / Por la moto **200cc**
 * = Per motociclo / For motorcycle / Pour motocycle / Betrifft den motorrad / Por la moto **250-270cc**

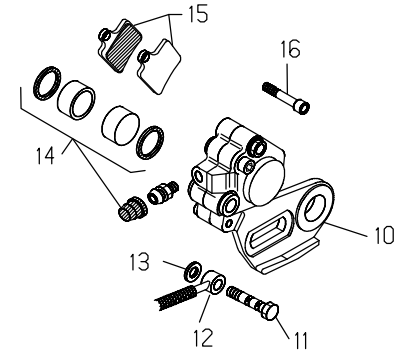
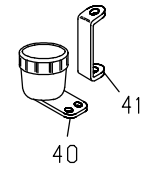
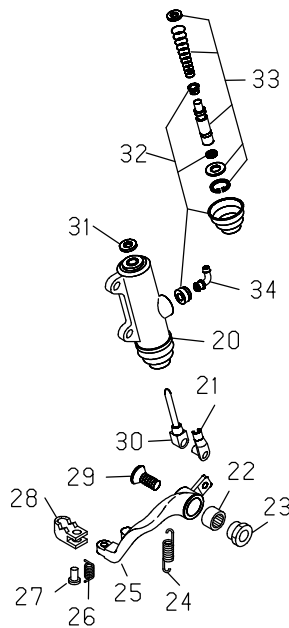
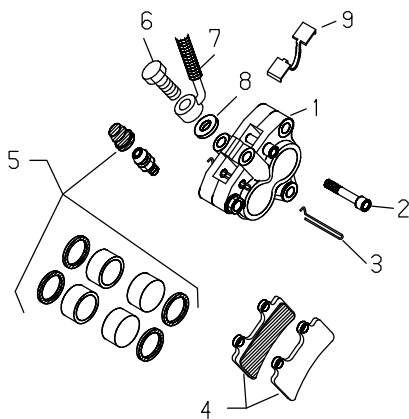


Pos	Number	Descrizione	Description	Description	Beschreibung	Descripción
1	13-29602	Dado 16x1,5	Nut 16x1,5	Ecrou 16x1,5	Rad Mutter 16x1,5	Tuerca 16.1,5
2	11-49013	Bullone 6x20 ch10 rs c/loct.	Bolt 6x20	Boulon 6x20 ch10 rs	Bolzen 6x20	Tornillo 6.20 ch 10 rs
3	27-57510	Rondella spess. 6x18,5x1	Washer 6x18,5x1	Rondelle epaisseur 6x18,5x1	Scheibe 6x18,5x1	Arandela spess. 6.18,5.1
4	22-31980	Molla a Tazza	Cup spring	Ressort disque	Federscheibe	Muelle disco
5	13-62251	Distanziale disco freno	Spacer	Entretoise disque roues	Distanz	Distanciadore disco
6	31-10001	Valvola aria tubless	Tubeless valve	Valve air tubless	Reifenventil	Valvula aire tubless
7*#	12-42922	Cerchio 18x2,15x32	Rim 18x2,15x32	Jante 18x2,15x32	Felge 18x2,15x32	Llanta morad 18.2,15-32 tubl.
7°	12-42921	Cerchio 18x2,15x32	Rim 18x2,15x32	Jante 18x2,15x32	Felge 18x2,15x32	Llanta morad 18.2,15-32 tubl.
8	15-38205	Flap	Bead	Flap	Felgenband	Cinta tapa radios "flap"
9	12-81470	Copertura 4,00x18	Tire 4,00x18	Couverture 4.00x18	Reifen 4,00x18	Cubierta 4.00x18
10 #	12-89444	Corona z.43 5/8x1/4	Rear sprocket z.43	Couronne z.43 5/8x1/4	Kettenrad z.43	Corona z-43
10 °	12-89439	Corona z.42 5/8x1/4	Rear sprocket z.42	Couronne z.42 5/8x1/4	Kettenrad z.42	Corona z-42
10 *	12-89442	Corona z.41 5/8x1/4	Rear sprocket z.41	Couronne z.41 5/8x1/4	Kettenrad z.41	Corona z-41
11	31-63940	Vite TSPCE 8x25	Screw 8x25	Vis 8x25 TEPCH	Schraube 8x25	Tornillo tspce 8.25
12	12-98010	Cuscinetto20X42X12stagno	Ball bearing 20x42x12	Roulement20x42x12etanche	Kugellager 20x42x12	Cojinete 20.42.12 blindado
13	13-85773	Distanziale mozzo post.	Spacer rear hub	Entretoise moyeu arriere	Distanzscheibe	Dist. buje tras. der. l/corona
14	25-55764	Perno "ergal" ruota post.	Rear wheel axle	Pivot roue arriere	Achse	Eje ergal rueda post.
15	22-08026-0-57	Mozzo post. c/cuscinetti	Rear hub with ballbearing	Moyeu arriere avec roulem.	Hinterrad Nabe	Buje del. c/cojinetes
16	13-62717	Distanziale int. mozzo post.	Rear hub inner spacer	Entretoise int. moyeu arriere	Distanzscheibe	Distanciadore int. Buje tras.
17	13-39315	Disco freno posteriore	Rear brake disk	Disque frein arriere	Bremscheibe hi.	Disco trial trasero
18	12-98010	Cuscinetto20X42X12stagno	Ball bearing 20x42x12	Roulement20x42x12etanche	Kugellager 20x42x12	Cojinete 20.42.12 blindado
19	13-85760	Distanziale mozzo post. Sx	LH rear hub spacer	Entretoise moyeu arriere	Distanz li	Distanciadore buje tras.
20	27-71210	Rondella 17x33x3	Washer 17x33x3	Rondelle 17x33x3	Scheibe 17x33x3	Arandela 17x33x3
21	27-24198	Raggio post.3,5x220	Rear spoke 3,5x220	Rayon arr.3,5x220	Speiche 3,5x220	Rayo tras. 3,5x220
22	23-10110	Nipples ø3,5	Nipples ø3,5	Nipples ø3,5	Nippel ø3,5	Nipples 3,5
23	27-24199	Raggio 3,5x216	Spoke 3,5x216	Rayon 3,5x216	Speiche 3,5x216	Rayo 3,5x216

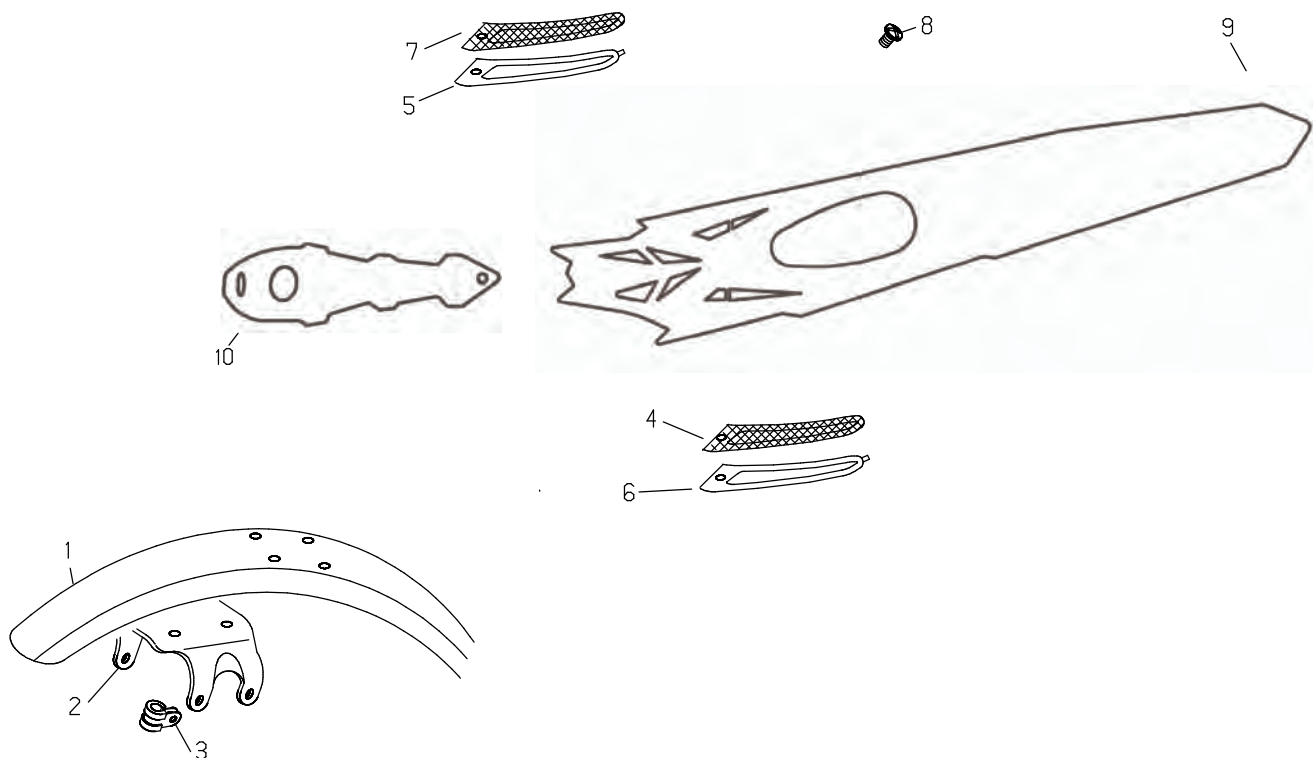
= Per motociclo / For motorcycle / Pour motorcycle / Betrifft den motorrad / Por la moto **125cc**

° = Per motociclo / For motorcycle / Pour motorcycle / Betrifft den motorrad / Por la moto **200cc**

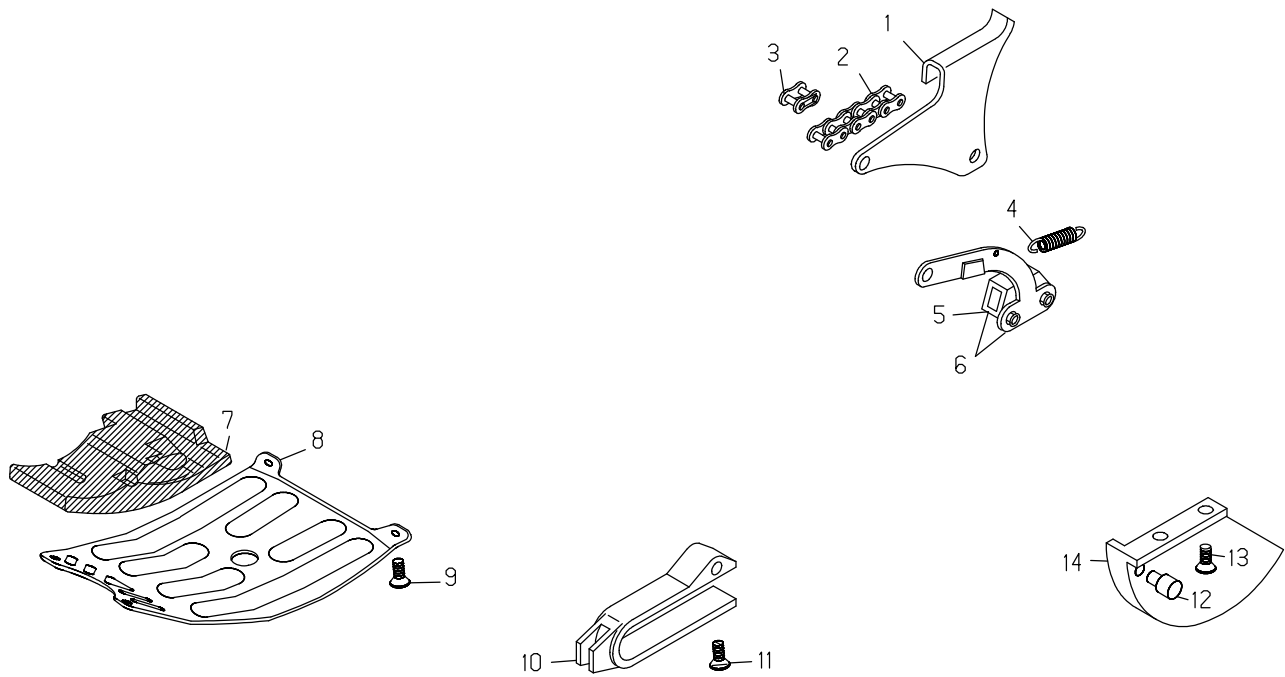
* = Per motociclo / For motorcycle / Pour motorcycle / Betrifft den motorrad / Por la moto **250-270cc**



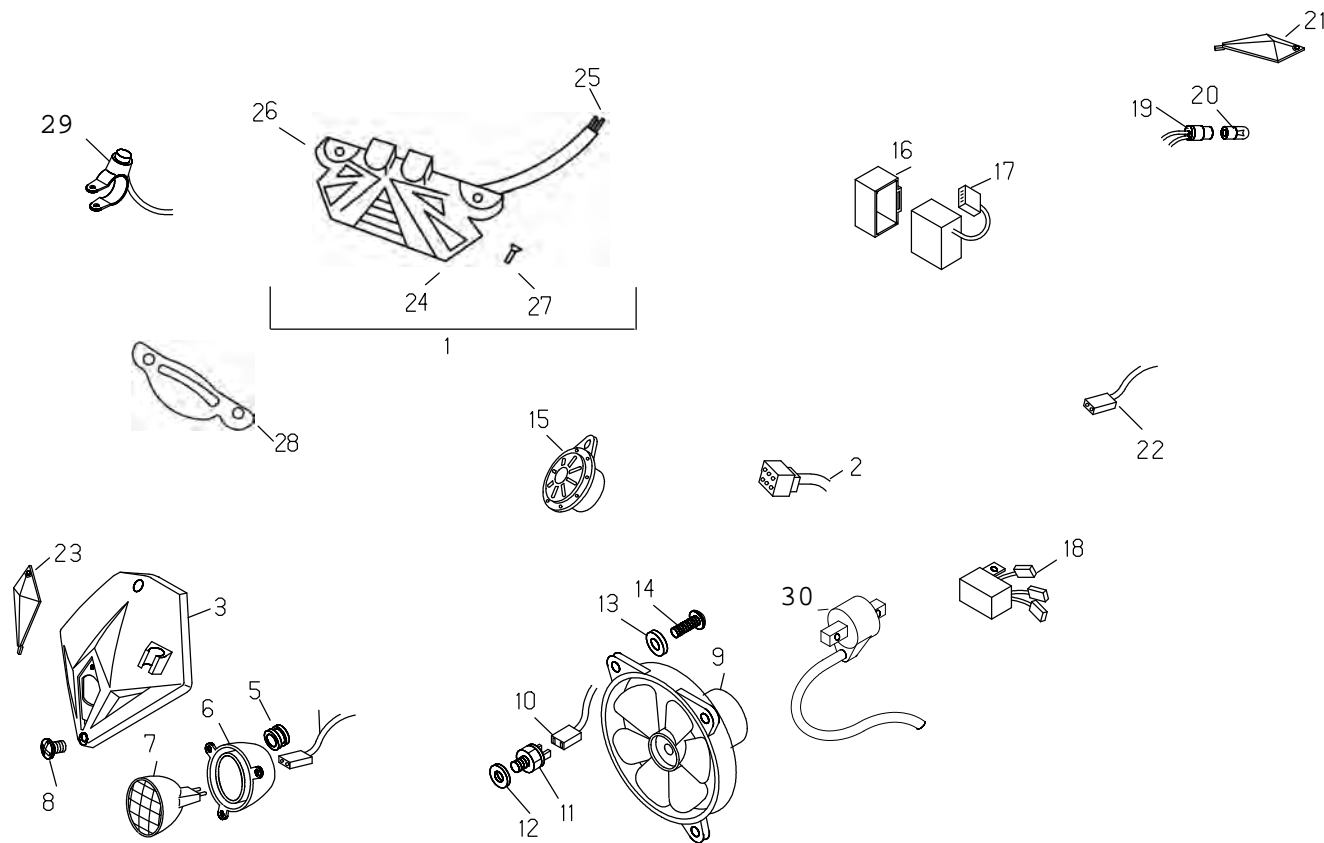
Pos	Number	Descrizione	Description	Description	Beschreibung	Descripción
1	25-03059	Pinza freno a disco	Brake pliers	Pince frein a disque	Bremszange vo./hi.	Pinza freno
2	11-70521	Bullone fermapastiglie pinza	Special bolt	Boulon arret machoires	Halter Bremsbeläge	Tornillo pastillas pinzas
3	22-32206	Molla ferma pastiglie pinza	Brake pads spring for pliers	Ressort arret plaquettes	Haltefeder	Muelle pastillas pinza
4	25-25352	Pastiglie per pinza	Brake pads	Plaquettes pince	Bremsbeläge hinten	Pastillas pinza
5	20-02714	Kit pistoncino e guarniz.	Piston e oil seal for pliers	Jeu petit pistons et joint	Reparatursatz Bremszange	Juego piston y guarnicion pz
6	11-65040	Bullone forato 10x1x tubo fr.	Special bolt	Boulon 10x1 x tube frein	Hohlschraube F.Bremse	Tornillo esp. talad.10.1
7	29-09123	Tubo freno anteriore	Front brake hose	Tube frein avant	Bremsleitung	Tubo freno delantero
8	16-50510	Guarnizione 10x15x1in rame	Gasket 10x15x1 copper	Joint 10x15x1 cuivre	Dichtung 10x15x1	Kupfer Junta 10.15.1 (cobre)
9	25-98915	Protezione pastiglie freno	Brake pliers protection pads	Protection machoires frein	Abdeckung Bremszange	Proteccion pastillas freno
10	25-03062	Pinza freno posteriore	Pliers front brake	Pince frein arriere	Bremszange hinten	Pinza freno post.
11	11-65052	Bullone forato 10x1	Special bolt	Boulon 10x1	Hohlschraube	Tornillo esp. Talad.10.1
12	29-09365	Tubo freno disco posteriore	Rear brake hose	Tube frein a disque arriere hi	Bremsleitung	Tubo freno disco post.
13	16-50510	Guarnizione 10x15x1in rame	Gasket 10x15x1 copper	Joint 10x15x1 cuivre	Dichtung 10x15x1	Kupfer Junta 10.15.1 (cobre)
14	20-02715	Kit pistoncini e guarniz.Pinza	Piston e oil seal for pliers	Jeu petit pistons et joint pinc.	Reparatursatz Bremszange	Juego piston y guarnicion pinza
15	25-25363	astiglie per pinza	Brake pads	Plaquettes pince	Bremsbeläge hinten	Pastillas pinza
16	11-70521	Bullone fermapastiglie pinza	Special bolt	Boulon arret machoires	Halter Bremsbeläge	Tornillo pastillas pinzas
20	25-91188	Pompa freno posteriore	Rear brake pump	Pompe frein arriere	Bremspumpe hi.	Bomba freno trasera
21	28-93130	Staffa blocc. asta freno	Pump pin w/spring	Chassis blocage tige frein	Betätigungspin Bremshebel	Pasador bloqueo soporte freno
22	11-22220	Boccola a rulli 12x18x16 2rs	Needle bearing 12x18x16	Douille a roulements12.18.16	Nadellager 12x18x16	Cojinete agujas 12.18.16 2rs
23	11-26611	Boccola pedale freno	Bush lever	Douille pedale frein	Buchse Bremshebel hi	Casquillo pedal freno rev 3
24	22-62171	Molla ritorno pedale freno	Return brake pedal spring	Ressort de retour frein	Bremspedal Feder	Muelle retorno palanca freno
25	25-28104	Pedale freno	Rear brake	Pedale frein	Bremshebel hi.	Pedal freno
26	22-62090	Molla ritorno mozzo ped.fr.	Return brake pedal spring	Ressort de retour	Bremspedal Feder	Muelle retorno puntera p.freno
27	25-54450	Perno snodo pedale freno	Brake pedal pin	Pivot joint pedale frein	Bremspedal Pin	Eje pedal freno
28	22-90052	Mozzetto con pedana	Footrest hub	Moyeu a/repouse pieds	Rasten Nabe Fußbremshebel	Puntera pedal freno
29	31-63940	Vite TSPCE 8x25	Screw 8x25	Vis 8x25 TEPCH	Schraube 8x25	Tornillo tspce 8.25
30	10-84020	Asta com.pompa freno post	Rear brake rod	Tige de commande pomp.fr.	Betaetigungsstange Bremse	Varilla bomba freno post.
31	16-50510	Guarnizione10x15x1in rame	Gasket 10x15x1 copper	Joint 10x15x1 cuivre	Dichtung 10x15x1 Kupfer	Junta 10.15.1 (cobre)
32	20-08262	Kit ricambi pompa freno	Kit (spare-part)brake pump	Jeu pieces pompe frein	Reparatursatz Bremspumpe	Juego piezas bomba freno
33	20-08257	Kit pistoncino compl. pompa	Pump piston assy	Jeu piston complet pompe	Kuppl pumpe kolben	Juego piston compl. Bomba
34	27-23424	Raccordo 90°pompa freno	Rear pump 90°raccord	Raccord 90°pompe arrier	Bremspumpeanschluss 90°	Enlace 90°bomba freno
40	28-05101	Serbatoio olio freni	Brake oil tank	Reservoir huile freins	Ausgleichsbehälter	Deposito liquido freno
41	28-95311	Staffa supporto serb.Olio	Oil tank bracket	Etrier fixation reservoir huile	Halter	Soporte fijacion dep. liquido



Pos	Number	Descrizione	Description	Description	Beschreibung	Descripción
1	25-15211-0-97	Parafango anteriore	Front fender	Garde-boue avant	Vorderradkotflügel	Guardabarros delantero
2	28-98277	Supporto parafango ant.	Front fender bracket	Support garde-boue avant	Kotflügelhalter vorne	Soporte guardabarros ant.
3	15-14600	Fascetta tubo freno 10x15	Clamp 10x15	Collier tube frein disque 10x15	Schelle F.Bremsschlauch	Brida fijación tubo freno 10.15
4	27-28503-0-59	Rete posteriore sx	Rear fender LH net	Reseau garde-boue arr.gauc.	Grilleinsatz Kotflügel re	Rejilla guardabarros dx
5	12-55786	Contentitore griglia par.p.dx.	Container grill right rear fend.	Logement grille garde	Rahmen Grill Kotflügel li	Plástico rejilla guardabarros sx
6	12-55785	Contentitore griglia par.p.sx.	Container grill left rear fender	Logement grille garde	Rahmen Grill Kotflügel re	Plástico rejilla guardabarros dx
7	27-28497-0-59	Rete parafango post.dx	Rear fender RH net	Reseau garde-boue arr.droit	Grilleinsatz Kotflügel re	Rejilla guardabarros dx
8	31-30530	Vite TTLIC 6x12 testa 15	Screw 6x12	Vis 6x12 TRLCC t.15	Schraube 6x12	Tornillo ttlic 6.12 cabeza 15
9	25-19689-8-51	Parafango posteriore	Rear fender	Garde-boue arriere	Hinterradkotflügel	Guardabarros tras.
10	12-88519-0-97	Copriserbatoio	Tank cover	Cache reservoir	Tankblende	Cubredeposito

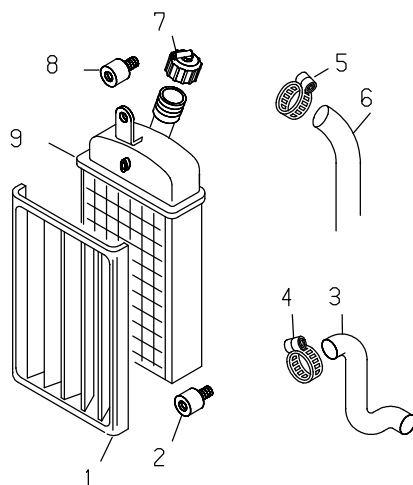


Pos	Number	Descrizione	Description	Description	Beschreibung	Descripción
1	12-84863	Copricatena	Cover chain	Carter chaîne	Kettenschutz	Cubrecadena
2	12-06770	Catena 5/8x1/4 p.100	Chain 5/8x1/4 p.100	Chaîne 5/8x1/4 p.100	Kette 5/8x1/4 p.100	Cadena 5/8x1/4 p.100
3	22-11220	Maglia congiunzione	Connecting link	Maillon junction	Kettenschloss	Enganche cadena
4	22-81112	Molla rit.pattino tendicat.	Spring	Ressort retour patin tend.	Feder Kettenspanner	Muelle ret. patin tensor cadena
5	16-22500	Gomma x pattino tendicat.	Chain tens. Block	Caoutchouc tendeur	Kettenklotz	Goma patin tensor cadena
6	25-25953	Pattino tendicat. Compl.	Sliding block	Patin tendeur compl.	Kettenspanner	Patin tensor cadena compl.
7	16-23328	Gomma x carter parasas.	Bumber rubber	Caoutchouc sabot moteur	Bodenplatte Gummi	Goma proteccion carter
8	12-32184	Carter parasassi	Bumper	Bas moteur	Bodenplatte	Cubrecarter
9	31-64070	Vite flangiata 8x25 ch10	Screw 8x25	Vis avec bride 8x25 ch10	Schraube 8x25	Tornillo especial 8.30
10	29-10082-0-52	Tassello guidacatena	Sliding block	Cheville guide de chaîne	Schwingenschleifklotz	Protector cadena/basculante
11	31-30540	Vite TTLIC 6x16 testa 15	Screw 6x16	Vis 6x16 TRLCC t.15	Schraube 6x16	Tornillo tlic 6.16 cabeza 15
12	16-29492	Gommino battuta cavalletto	Grommet	Caoutchouc arret bequille	Anschlagsgummi	Goma caballete
13	31-73000	Vite spec. 4x8	Screw 4x8	Vis spec. 4x8	Schraube 4x8	Tornillo especial 4.8
14	12-88052-0-52	Copridisco post.inf.	Lower rear disk brake cover	Cache disque arriere inf.	Bremsscheibenabdeck.hi.unt	Cubredisco post.inf.



Pos	Number	Descrizione	Description	Description	Beschreibung	Descripción
1	13-36645	Dip luci	Switch	Commodo feux	Lichtschalter	Mando luces
2	18-01673	Impianto centrale	Electric equipment	Installation centrale	Zentraler Kabelbaum	Instalacion central
3	22-28698-0-97	Mascherina portafaro	Headlight holder	Cache porte-phare	Lampenmaske	Portafaro ant. con adhesivo
4	18-01516	Impianto faro	Electric equipment	Systeme electrique	Kabelbaum	Instalacion electrica
5	28-91500	Silent-block	Silent-block	Silent-block	Silent -Block	Silent-block guardabarros
6	12-03161-0-59	Cappuccio lampada faro	Front head light cover	Capuchon lampe phare ant.	Lampe	Protector lampara optica
7	21-16751	Lampada faro anteriore	Headlight lamp	Ampolle phare avant	Scheinwerferbirne	Lampara delantera
8	31-29860	Vite TTLIC 5x16 testa 10	Screw 5x16	Vis 5x16	Schraube 5x16	Tornillo tllic 5.16 cabeza 10
9	14-01030	Elettroventola con supporto	Electric fan	Ventilateur electrique	Lüftermotor	Electrovent.
10	18-01851	Impianto termointerruttore	Electric equipment	Installation interrupt.termique	Kabelbaum	Instalación termointerruptor
11	29-11959	Termointerruttore 50/60	Thermostat 50/60	Interrupteur termique 50/60	Thermoschalter	Termostato temperatura
12	16-49500	Guarnizione 8x20x1 rame	Gasket 8x20x1 copper	Joint 8x20x1 cuivre	Dichtung 8x20x1	Kupfer Junta 8x20x1 cobre
13	27-43000	Rondella in gomma 6x20x3	Rubber washer 6x20x3	Rondelle caoutchouc 6x20x3	Scheibe 6x20x3	Arandela goma 6.20.3
14	31-30520	Vite TTLIC 6x16 testa 12	Screw 6x16	Vis 6x16	Schraube 6x16	Tornillo tllic 6.16 cabeza 12
15	10-09222	Avvisatore acustico	Horn	Avertisseur acustique	Hupe	Avisador acustico
16	16-23325	Gomma supporto centralina	CDI unit cushion	Caoutchouc support C.D.I.	Gummihalter Zuendenheit	Goma soporte centralita
17*	12-41829-8	Centralina digitale	CDI unit	Bobine digital (C.D.I.)	Steuergerät	Centralita digital
17#	12-41836-8	Centralina digitale	CDI unit	Bobine digital (C.D.I.)	Steuergerät	Centralita digital
18	27-28092	Regolatore	Regulator	Regulateur	Regler	Regulador
19	25-91761	Portalampe fan.post.(cp)	Rear light lamp holder	Porte-lampes feu arr.	Rücklichthalter	Portalamp. (juego) piloto tras.
20	21-15520	Lampada spia tub.12V-4W	Warning light 12V-4W	Ampolle temoiboudin12V-4W	Birne 12V-4W	Lampara 12V-4W
21	15-01823-0-53	Fanalino posteriore	Rear light	feu arriere	Rücklicht Glas	Piloto trasero
22	18-01426	Impianto per fanalino post.	Electric equipment	Installation feu arriere post	Kabelbaum	Instalacion piloto post.
23	15-01823	Fanalino anteriore	Front light	feu avant	Rücklicht	Piloto anterior
24	12-56525-1-59	Coperchio per int. dip gara	Cover, race device	Covercle dispositif	Deckel bedienungselement	Tapa sispositivo izq.
25	18-01509	Impianto interruttori dip gara	Electric equipment,race	Equipement electrique	Kabelbaum	Istalacion dispositivo
26	28-98282-1-59	Supporto per int. dip gara	Panel support, race device	Support planche dispositif g.	Halter bedienungselement	Soporte sispositivo izq.
27	31-22570	Vite 3x12	Screw 3x12	Vis 3x12	Schraube 3x12	Tornillo 3x12
28	25-24463-1-59	Passacavo manubrio	Fair lead, headlebar	Passe-cable guidon	Kabelfuehrung lenker	Passacables manillar
29	25-99217	Pulsante avvisatore acustico	Horn switch	Interruptor avertisseur acustique	Hupeschalter	Interrupctor avisador acustico
30	11-20682-8	Bobina	Coil	Bobine	Zündspule	Bobina

* = Per motociclo / For motorcycle / Pour motocycle / Betrifft den motorrad / Por la moto **200-250-270cc**
= Per motociclo / For motorcycle / Pour motocycle / Betrifft den motorrad / Por la moto **125cc**



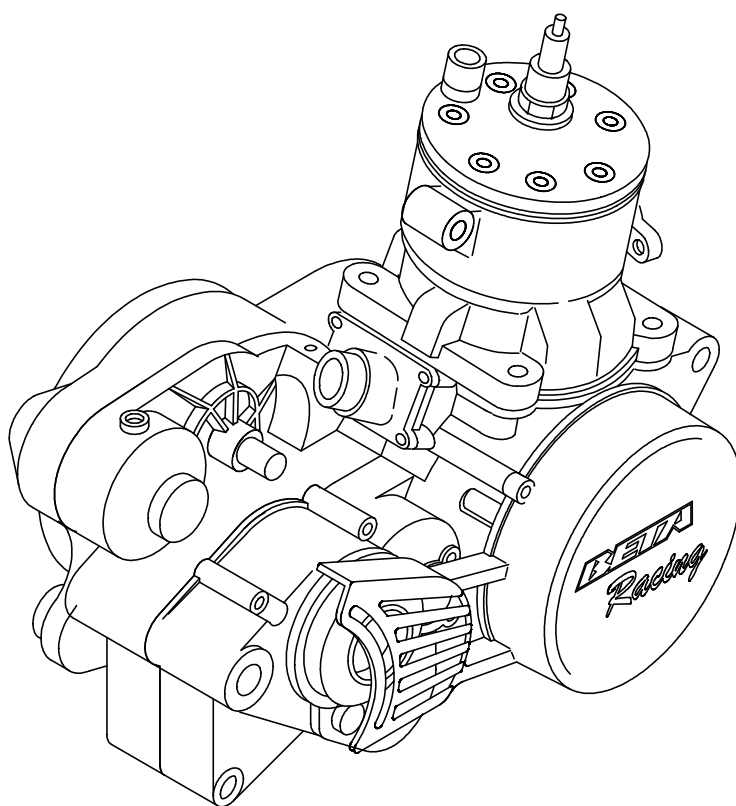
Pos	Number	Descrizione	Description	Description	Beschreibung	Descripción
1	16-45543-1-59	Griglia radiatore	Radiator protection	Grille radiateur	Kühlergrill	Rejilla radiador
2	28-91942	Silent-block marmitta	Silent-block	Silent-block pot d'echappement	Silent-Block	Silent-block escape
3	29-15864	Tubo radiatore-pompa acqua	Water pump radiator tube	Tube radiateur pompe eau	Kühlerschlauch	Tubo refriger. Radiador
4	15-15230	Fascetta 15x25	Clamp 15x25	Collier 15x25	Schelle 15x25	Brida 15/25
5	15-15230	Fascetta 15x25	Clamp 15x25	Collier 15x25	Schelle 15x25	Brida 15/25
6	29-15881	Tubo radiatore-motore	Radiator tube	Tube radiateur moteur	Wasserschlauch Kühler Kopf.	Tubo radiador motor
7	29-01821	Tappo radiatore	Water tank cover	Bouchon radiateur	Kühlwasserdeckel	Tapon radiador
8	28-91941	Silent-block radiatore	Silent-block	Silent-block pot d'echappement	Silent-Block	Silent-block escape
9	27-23632	Radiatore	Radiator	Radiateur	Kühler	Radiador

PARTICOLARI NON FIGURANTI
SUPPLEMENTARY PARTS LIST
PARTICULIERS PAS MENTIONNES
NICHT VERZCHNETE TEILE
PARTICULARES NO FIGURADOS

Number	Descrizione	Description	Description	Beschreibung	Descripción
12-43030	Chiave candela	Spark plug key	Cle bougie	Kerzenschlüssel	Llave bujía
13-33821	Decalco complet.to	Completely decals	Autocollant compl.	Aufklebersatz kpl.	Juego adhesivos compl.
13-33821-1	Decalco paraf.anter.	Decal front fender	Autocollant garde boue	Aufkleber Kotflügel vorne	Juego adhesivos
13-33821-2	Decalco paraf.post.	Decal rear fender	Autocollant garde boue	Aufkleber Kotflügel hinten	Juego adhesivos
13-33821-3	Decalco mascherina	Decalc headlight holder	Autocollant cache phare	Aufkleber Lampenmaske	Juego adhesivos
13-33821-4	Decalco forcellone	Decalc swinging arm	Autocollant bras oscillant	Aufkleber Schwinge	Juego adhesivos basculante
13-33821-5	Decalco cop. Filtro	Decalc filter cover	Autocollant couv. Filtre	Aufkleber luftfilterdeckel	Juego adhesivos tapon filtro
* # 27-02596-0-58	Ruota anteriore	Front wheel	Roue avant	Vorderrad	Rueda delantera
* # 27-02596-4-58	Ruota anteriore p/montata	Front wheel ass.	Roue avant p/monte'	Vormontiertes vorderrad	Rueda delantera montada
° 27-02597-0-57	Ruota anteriore	Front wheel	Roue avant	Vorderrad	Rueda delantera
° 27-02597-4-57	Ruota anteriore p/montata	Front wheel ass.	Roue avant p/monte'	Vormontiertes vorderrad	Rueda delantera montada
* 27-04699-0-58	Ruota posteriore	Rear wheel	Roue arriere	Hinterrad	Rueda tra
* 27-04699-4-58	Ruota posteriore p/montata	Rear wheel ass.	Roue arriere p/monte'	Vormontiertes hinterrad	Rueda trasera montada
° 27-04701-0-57	Ruota posteriore	Rear wheel	Roue arriere	Hinterrad	Rueda tra
° 27-04701-4-57	Ruota posteriore p/montata	Rear wheel ass.	Roue arriere p/monte'	Vormontiertes hinterrad	Rueda trasera montada
# 27-04703-0-58	Ruota posteriore	Rear wheel	Roue arriere	Hinterrad	Rueda tra
# 27-04703-4-58	Ruota posteriore p/montata	Rear wheel ass.	Roue arriere p/monte'	Vormontiertes hinterrad	Rueda trasera montada

* = Per motociclo / For motorcycle / Pour motocycle / Betrifft den motorrad / Por la moto **250-270cc**
° = Per motociclo / For motorcycle / Pour motocycle / Betrifft den motorrad / Por la moto **200cc**
= Per motociclo / For motorcycle / Pour motocycle / Betrifft den motorrad / Por la moto **125cc**

CATALOGO PARTI DI RICAMBIO
CATALOGUE OF SPARE PARTS
CATALOGUE PIECES DE RECHANGE
ERSATZTEILKATALOG
CATALOGO DE PIEZAS DE REPUESTO

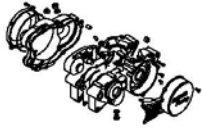








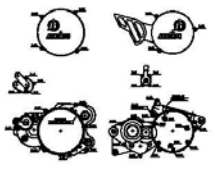


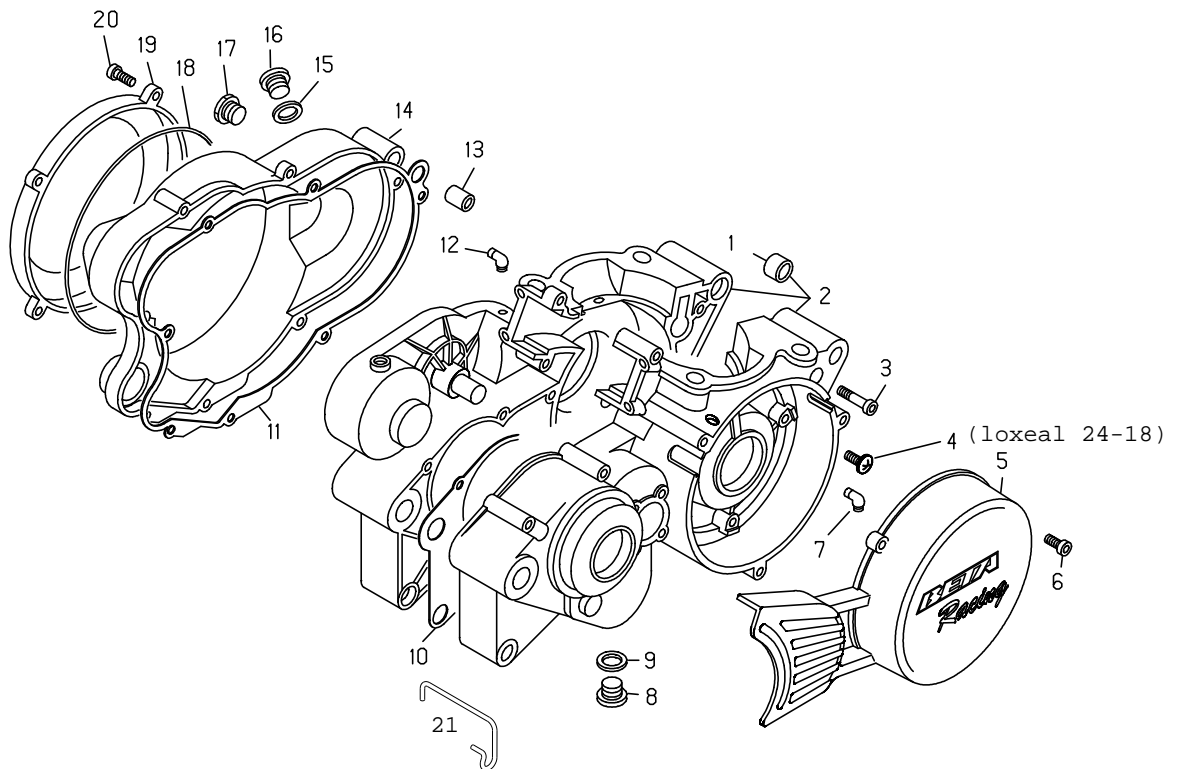
Codice Motore / Engine cod. / Ref. Moteur / Motor Code / Numero Motor

37.66116.100(125cc) 37.66116.200(200cc) 37.66116.000(250cc) 37.66116.300(270cc)
37.66117.000(250cc-GB) 37.66117.300(270cc-GB)

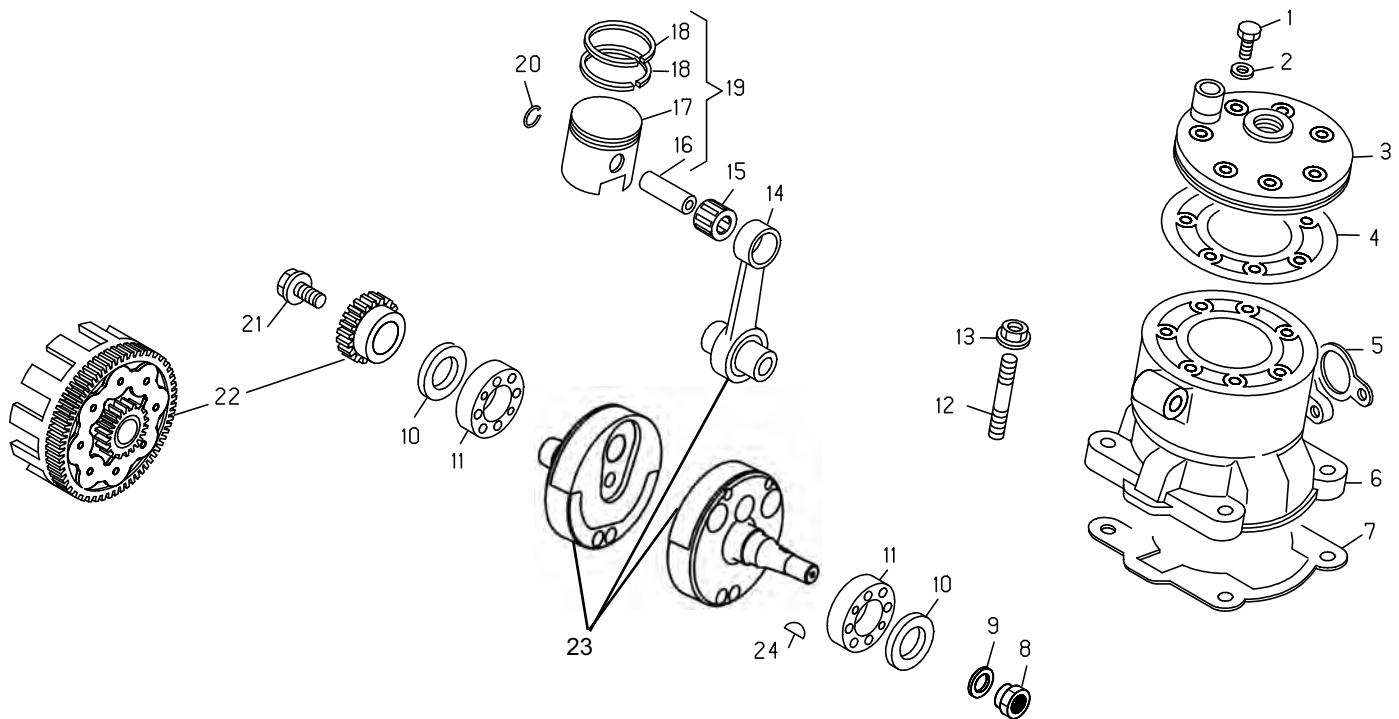
Dal numero motore / From engine number / De numero Moteur / Ab motonummer / Desde numero motor

ZD3 B9T-A 800001(125cc) ZD3 B9T 800001(200cc) ZD3 B9T-F 800001(250cc) ZD3 B9T-E 800001(270cc)

<p>Carter Crankcase Carter Gehäuse Carter</p>	<p>Albero motore e Cilindro Crankshaft and Cylinder Vilebrequin et Cylinder Kurbelwelle und Zylinder Ciguenal y Cilindro</p>	<p>Albero motore e Cilindro Crankshaft and Cylinder Vilebrequin et Cylinder Kurbelwelle und Zylinder Ciguenal y Cilindro</p>
 <p>PAG. 3</p>	 <p>PAG. 4</p>	 <p>PAG. 5</p>
<p>Volano - Carburatore Flywheel - Carburetor Volan - Carburateur Schwungrad - Vergaser Volante - Carburador</p>	<p>Pompa acqua Water pump Pompe à eau Wasserpumpe Bomba agua</p>	<p>Frizione Clutch Embrayage Kupplung Embrague</p>
 <p>PAG. 6/7</p>	 <p>PAG. 8</p>	 <p>PAG. 9</p>
<p>Comando cambio Gearbox lever Lever boîte à vitesses Getriebschaltung Mando cambio</p>	<p>Cambio Gearbox Boîte à vitesses Schaltung Cambio</p>	<p>Messa in moto Kickstarter Démarrage Kickstarter Arranque</p>
 <p>PAG. 10</p>	 <p>PAG. 11</p>	 <p>PAG. 12</p>
<p>Viti e Particolari non figuranti Screws and other ind. comp. Vis et part. pas mentionnés Schrauben und andere teile verzeichnet Tornillos y particulares no figur.</p>  <p>PAG. 13</p>		

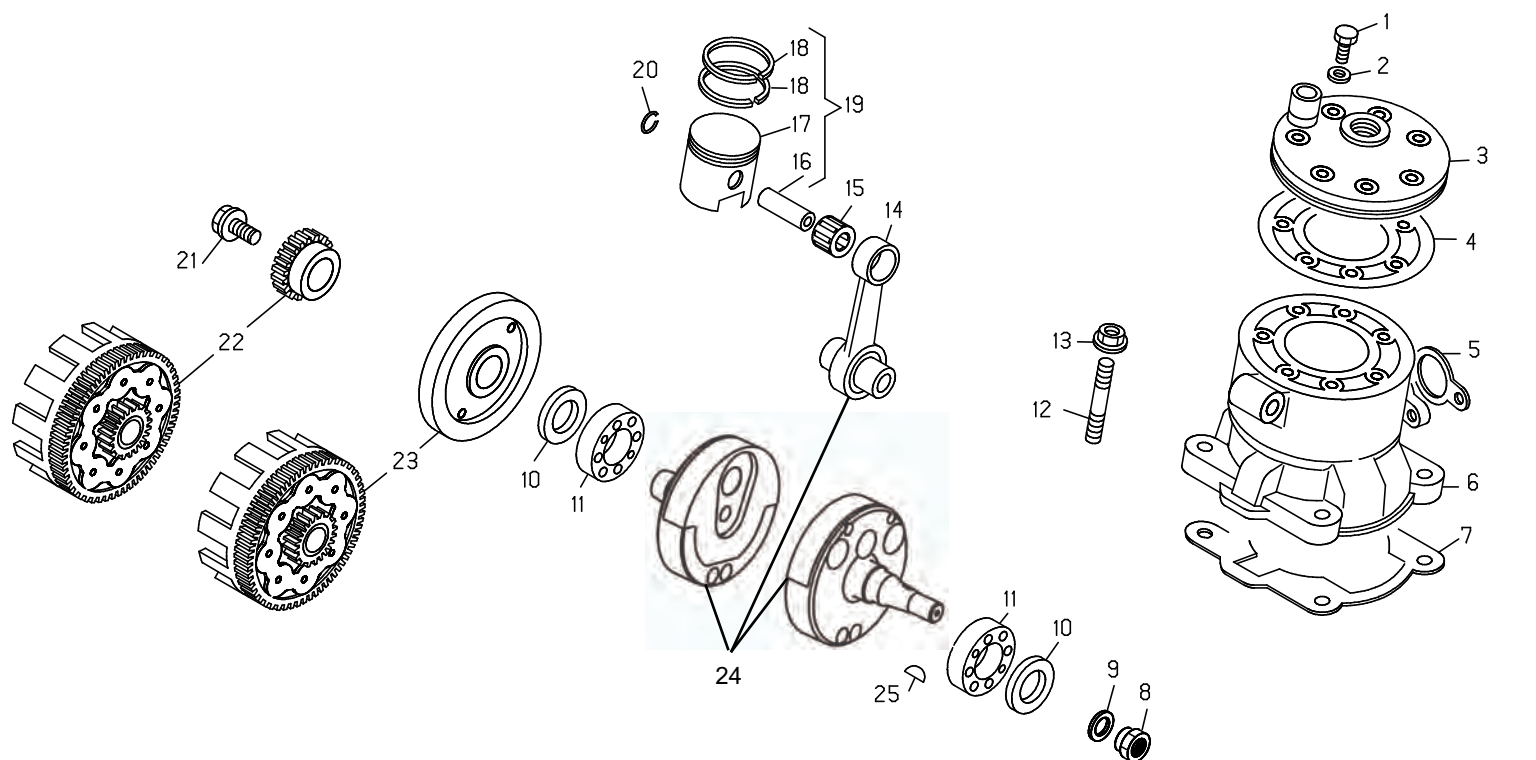


Pos	Number	Descrizione	Description	Description	Beschreibung	Descripción
1	16-41500	Grano riferimento 10,5x13	Dowel 10,5x13	Grain rif. 10,5x13	Dowell 10,5x13	Grano 10,5x13
2	1206329-8-33	Carter	Crankcase	Carter	Gehäuse	Carter
3	31-59010	Vite brugola 6x50	Screw 6x50	Vis a tete a six pans 6x50	Schraube 6x50	Tornillo
4	31-29810	Vite 5.12	Screw 5x12	Vis 5x12	Schraube 5x12	Tornillo 5.12
5	12-69713-1-67	Coperchio volante	Magneto cover	Couvercle volant	Zündungsdeckel	Tapa volante
6	31-34510	Vite brugola 6x20	Screw 6x20	Vis a tete a six pans 6x20	Schraube 6x20	Tornillo
7	27-23470	Raccordo per sfiato	Breather pipe hose	Raccord pour event	Entlüftungsschlauch	Enlace aliento
8	29-00451	Tappo c/calamita	Magnetic plug	Bouchon av/aimant	Ablassschraube	Tapa aceite
9	16-53600	Guarnizione 16x22,5x1	Gasket 16x22,5x1	Joint 16x22,5x1	Dichtung 16x22,5x1	Junta 16x22,5x1
10	16-55732	Guarnizione carter	Crankcase gasket	Joint carter	Gehäusedichtung	Junta carter
11	16-71681	Guarnizione cop.friz.interno	Inner clutch cover gasket	Joint couvercle embrayage int.	Dicht. Kupplungsdeckel gross	Junta tapa embrague int.
12	27-23470	Raccordo per sfiato	Breather pipe hose	Raccord pour event	Entlüftungsschlauch	Enlace aliento
13	16-37010	Grano riferimento 9x15	Dowel 9x15	Grain rif. 9x15	Dowell 9x15	Grano 9x15
14	12-62663-0-67	Coperchio frizione interno	Internal clutch cover	Couvercle embrayage int.	Gehäusedeckel innen	Tapa embrague interno
15	16-53600	Guarnizione 16x22,5x1	Gasket 16x22,5x1	Joint 16x22,5x1	Dichtung 16x22,5x1	Junta 16x22,5x1
16	29-10290	Tappo livello olio	Oil plug	Bouchon nivel huile	Einfüllstopfen	Tapon nivel aceite
17	29-10030	Tappo indicatore olio	Oil plug	Bouchon indicateur huile	Schauglas	Tapon aceite
18	10-67340	Anello OR cop.friz.est.	Ext. Clutch cover OR	OR couvercle embr.ext.	Wedi	Junta tapa embrague ext.
19	12-631111-0-67	Coperchio frizione esterno	Clutch cover	Couvercle embrayage ext.	Kupplungsdeckel	Tapa embrague ext.
20	31-34510	Vite brugola 6x20	Screw 6x20	Vis a tete a six pans 6x20	Schraube 6x20	Tornillo
21	25-24584	Passac. tubi sfiato	Bleed tube	Passe cable tubes	Haltebugel	Guia de los tubes



Pos	Number	Descrizione	Description	Description	Beschreibung	Descripción
1	11-52425	Bullone spec. 7x33	Special bolt 7x33	Bulon spec. 7x33	Schraube 7x33	Tornillo special 7x33
2	27-45100	Rondella in rame 7x12x0,5	Cup washer 7x12x0,5	Rondelle 7x12x0,5 cuivre	Scheibe 7x12x0,5	Arandela 7x12x0,5
3	29-12050-0-57	Testa	Cylinder head	Culasse	Zylinderkopf	Culata
*	29-12041-0-57	Testa	Cylinder head	Culasse	Zylinderkopf	Culata
4	16-67207	Guarnizione cilindro-testa	Cylinder-head gasket	Joint cylindre culasse	Kopfdichtung	Junta cilindro culata
*	16-67206	Guarnizione cilindro-testa	Cylinder-head gasket	Joint cylindre culasse	Kopfdichtung	Junta cilindro culata
5	16-80700	Guarnizione scarico	Gasket	Joint echappement	Auspuffdichtung	Goma escarico
6	12-51833-0-57	Cilindro 54	Cylinder 54	Cylindre 54	zylinder 54	Cilindro 54
*	12-51838-0-57	Cilindro 64	Cylinder 64	Cylindre 64	Zylinder 64	Cilindro 64
7	16-61761	Guarnizione cilindro-carter	Cylinder crankcase gasket	Joint cylindre carter	Fußdichtung REV-3	Junta cilindro carter
8	13-27115	Dado spec. 16x1,25 ch24	Special nut 16x1,25 ch24	Ecrou spec. 16x1,25 ch24	Spezial Mutter 16x1,25 ch24	Tuerca esp. 16x1,25 llave 24
9	27-57760	Rondella spec. Volano	Special washer	Rondelle speciale volant	Spezialscheibe	Arandela esp. Volante
10	10-64661	Anello paraolio	Oil seal	Joint spy	Weddi	Junta aceite
11	12-99563	Cuscinetto	Ball bearing	Roulement	Kurbelwellenlager	Cojinete
12	25-98050	Prigioniero	Stud bolt	Goujon	Stehbolzen	Prigioniero
*	25-98080	Prigioniero 8x46	Stud bolt 8x46	Goujon 8x46	Stehbolzen	Prigioniero 8x46
13	13-17121	Dado spec. M8 flangiato ch10	Nut M8 special ch10	Ecrou M8 bride ch10	Mutter M8 SW 10	Tuerca M8 esp. Llave 10
14	11-03724-8	Biella completa	Connecting rod assy	Bielle complete	Pleuelsatz	Biella completa
*	11-03721-8	Biella completa	Connecting rod assy	Bielle complete	Pleuelsatz	Biella completa
15	16-14360	Gabbia 16x20x20	Needle bearing 16x20x20	Cade 16x20x20	Nadellager 16x20x20	Jaula 16x20x20
16	28-93850	Spinotto	Piston pin	Axe	Kolben Bolzen	Pasador
*	28-93880	Spinotto	Piston pin	Axe	Kolben Bolzen	Pasador
17	25-86122	Pistone ø54	Piston ø54	Piston ø54	Kolben ø54	Piston ø54
*	25-86200	Pistone ø64	Piston ø64	Piston ø64	Kolben Kpl. ø64	Piston 64
18	28-55701	Segmento ø54	Piston ring ø54	Segment ø54	Kolben bolzen	Pasador ø54
*	28-51500	Segmento ø64	Piston ring ø64	Segment ø64	Kolbenring ø64	Segmento 64
19	25-86122-8	Pistone ø54 compl.	Compl. Piston ø54	Piston complet ø54	Kolben Kpl. ø54	Piston compl. ø54
*	25-86200-8	Pistone ø64 completo	Compl Piston ø64	Piston complet ø64	Kolben Kpl. ø64	Piston completo 64
20	10-42570	Anello ferma spinotto 16	Circlip 16	Bague d'arret goujon 16	Clip 16	Junta
*	10-42580	Anello ferma spinotto	Circlip	Bague d'arret goujon	Clip	Junta
21	11-64100	Bullone spec. Ingran. motore	Special bolt	Boulon spec. Engr. Moteur	Spezial Bolzen Motor	Tornillo special engranage mot.
22	29-07315-8	Trasmissione primaria c/camp.	Primary drive with cup	Transmission primaire a/cloche	Primärtrieb	Transmission primaria c/camp.
23	10-00713	Albero motore	Crankshaft	Vilebrequin	Kurbelwelle	Ciguenal
*	10-00707	Albero motore	Crankshaft	Vilebrequin	Kurbelwelle	Ciguenal
24	12-46000	Chiavetta 3x3,7x9,7	Woodruff 3x3,7x9,7	Clavette 3x3,7x9,7	Keli 3x3,7x9,7	Llave 3x3,7x9,7

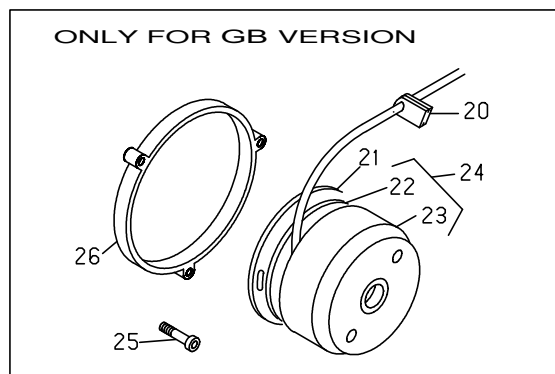
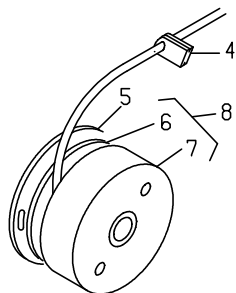
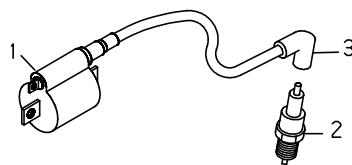
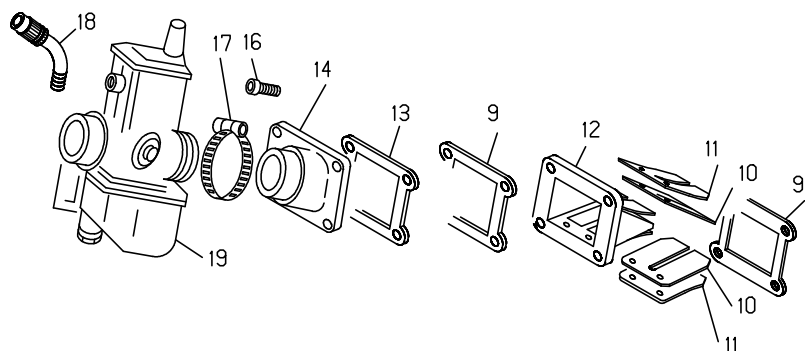
* Per motore / For engine / Pour le moteur / Betrifft den motor / Por el motor / 200cc



Pos	Number	Descrizione	Description	Description	Beschreibung	Descripción
1	11-52425	Bullone spec. 7x33	Special bolt 7x33	Buolon spec. 7x33	Schraube 7x33	Tornillo special 7x33
2	27-45100	Rondella in rame 7x12x0,5	Cup washer 7x12x0,5	Rondelle 7x12x0,5 cuivre	Scheibe 7x12x0,5	Arandela 7x12x0,5
3	29-12095-0-57	Testa	Cylinder head	Culasse	Zylinderkopf	Culata
*	29-12145-0-57	Testa	Cylinder head	Culasse	Zylinderkopf	Culata
4	16-67204	Guarnizione cilindro-testa	Cylinder-head gasket	Joint cylindre culasse	Kopfdichtung	Junta cilindro culata
5	16-67205	Guarnizione cilindro-testa	Cylinder-head gasket	Joint cylindre culasse	Kopfdichtung	Junta cilindro culata
5	16-80700	Guarnizione scarico	Gasket	Joint echappement	Auspuffdichtung	Goma escarico
6	12-51843-0-57	Cilindro ø72,5	Cylinder ø72,5	Cylindre ø72,5	Zylinder ø72,5	Cilindro ø72,5
*	12-51864-0-57	Cilindro ø76	Cylinder ø76	Cylindre ø76	Zylinder ø76	Cilindro ø76
7	16-61761	Guarnizione cilindro-carter	Cylinder crankcase gasket	Joint cylindre carter	Fußdichtung REV-3	Junta cilindro carter
8	13-27115	Dado spec. 16x1,25 ch24	Special nut 16x1,25 ch24	Ecrou spec. 16x1,25 ch24	Spezial Mutter 16x1,25 ch24	Tuerca esp. 16x1,25 llave 24
9	27-57760	Rondella spec. Volano	Special washer	Rondelle speciale volant	Spezialscheibe	Arandela esp. Volante
10	10-64661	Anello paraolio	Oil seal	Joint spy	Wedi	Junta aceite
11	12-99563	Cuscinetto	Ball bearing	Roulement	Kurbelwellenlager	Cojinete
12	25-98080	Prigioniero 8x46	Stud bolt 8x46	Goujon 8x46	Stehbolzen	Prigioniero 8x46
13	13-17121	Dado spec. M8 flangiato ch10	Nut M8 special ch10	Ecrou M8 bride ch10	Mutter M8 SW 10	Tuerca M8 esp. Llave 10
14	11-03725-8	Biella completa	Connecting rod assy	Bielle complete	Pleuelsatz	Biela completa
15	16-16700	Gabbia 18x22x22	Needle bearing 18x22x22	Cade 18x22x22	Nadellager 18x22x22	Jaula 18x22x22
16	28-94120	Spinotto 12x52	Piston pin 18x52	Axe 18x52	Kolben Bolzen 18x52	Pasador 18x52
17	25-86570	Pistone ø72,5	Piston ø72,5	Piston ø72,5	Kolben Kpl. ø72,5	Piston 72,5
*	25-86671	Pistone ø76	Piston ø76	Piston ø76	Kolben Kpl. ø76	Piston 76
18	28-52200	Segmento ø72,5	Piston ring ø72,5	Segment ø72,5	Kolbenring ø72,5	Segmento 72,5
*	28-52170	Segmento ø76	Piston ring ø76	Segment ø76	Kolbenring ø76	Segmento 76
19	25-86570-8	Pistone ø72,5 completo	Compl piston ø72,5	Piston complet ø72,5	Kolben Kpl. ø72,5	Piston completo 72,5
*	25-86671-8	Pistone ø76 completo	Compl piston ø76	Piston complet ø76	Kolben Kpl. ø76	Piston completo 76
20	10-42600	Anello ferma spinotto 18	Circlip 18	Bague d'arret goujon 18	Clip 18	Junta
21	11-64100	Bullone spec. Ingran. motore	Special bolt	Boulon spec. Engr. Moteur	Spezial Bolzen Motor	Tornillo special engranage mot.
* 22	29-07315-8	Trasmissione primaria c/camp.	Primary drive with cup	Transmission primaire a/cloche	Primärtrieb	Transmission primaria c/camp.
+ 23	29-07314-8	Trasmissione primaria c/camp.	Primary drive with cup	Transmission primaire a/cloche	Primärtrieb	Transmission primaria c/camp.
24	10-00712	Albero motore	Crankshaft	Viebrequin	Kurbelwelle	Ciguenal
25	12-46000	Chiavetta 3x3,7x9,7	Woodruff 3x3,7x9,7	Clavette 3x3,7x9,7	Keli 3x3,7x9,7	Llave 3x3,7x9,7

* Per motore/For engine/Pour le moteur/Betrifft den motor/Por el motor/ 270cc

+ Per motore/For engine/Pour le moteur/Betrifft den motor/Por el motor/ 250cc

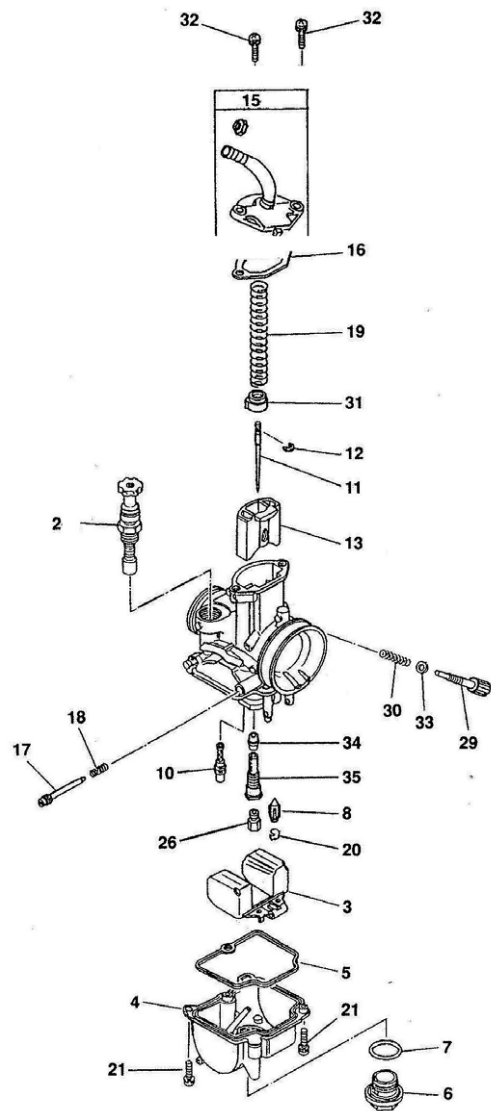


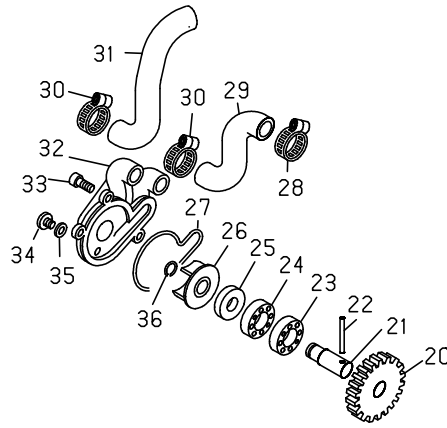
Pos	Number	Descrizione	Description	Description	Beschreibung	Descripción
1	11-20681	Bobina ATE	HT coil	Bobine ATE	Zündspule	Bobina ATE
2	12-25220	Candela BR7ES	Spark plug BR7ES	Bouge BR7ES	Zündkerze BR7ES	Bujia BR7ES
3	27-13514	Raccordo candela	Spark plug protec.	Rac.blinde bougie	Zündkerzenstecker	Enlace bujia
4	16-33571	Gommino passafili volano	Grommet	Caout. Passe-fils volant	Puffer	Goma pasacables volante
5	25-60168	Piastra statore per volano "aet"	Plate statore	Plaque stator volant "AET"	Halteplatte	Placa sator volant AET
6	28-97811	Statore per volano	Stator assy,elect.flywheel	Stator volant	Grundplatte Zündung	Stator del volante
7	27-00370	Rotore per volano	Rotor assy	Rotor volant	Schwungrad	Rotor volante
*	27-00365	Rotore per volano	Rotor assy	Rotor volant	Schwungrad	Rotor volante
8	31-03235	Volano digitale	Electric flywheel	Volant digital	Schwungrad	Volante magnetico
*	31-03233	Volano digitale	Electric flywheel	Volant digital	Schwungrad	Volante magnetico
#	9	16-92550	Guarnizione valvola	Valve gasket	Dichtung Membranblock	Junta valvula
10	21-15360	Lamella valvola	Valve petal	Doigt valve	Membranzung	Lama valvula
11	25-59670	Piastrina per valvola	Petal fixing plate	Plaquette valve	Halteplatte Membranzung	Placa valvula
12	31-02140	Valvola completa	Reed valve complete	Valve complete	Einlass Membran Kpl.	Valvula completa
#	13	25-57695	Piastrina rac. Aspir. Motore	Engine manifold plate	Plaquette moteur	Placa enlace aspiracion motor
+	14	27-23492	Raccordo carburatore	Inlet manifold	Raccord carburateur	Enlace carburador
°	14	27-23496	Raccordo carb.	Inlet manifold	Raccord carb.	Enlace carburador
*	14	27-23497	Raccordo carb.	Inlet manifold	Raccord carb.	Enlace carburador
15	27-40500	Rondella 6x13	Washer 6x13	Rondelle 6x13	Scheibe 6x13	Arandela 6x13
16	31-38010	Vite brugola 6x25	Screw 6x25	Vis a tete a six pans 6x25	Schraube 6x25	Tornillo
+	17	15-15380	Fascetta 33x53	Clamp 33x53	Collier 33x53	Brida 33/53
+	18	27-32100	Rinvio carburatore	Throttle cable guide	Renvoi carburateur	Gasführung
19	12-04893	Carburatore MIKUNI	carburetor MIKUNI	Carburateur MIKUNI	Mikuni Vergaser	Carburador MIKUNI
*19	12-04921-8	Carburatore 125cc	Carburetor 125cc	Carburateur 125cc	Vergaser 125cc	Carburador 125cc
°19	12-04922-8	Carburatore 250cc	Carburetor 250cc	Carburateur 250cc	Vergaser 250cc	Carburador 250cc
#19	12-04923-8	Carburatore 270cc	Carburetor 270cc	Carburateur 270cc	Vergaser 270cc	Carburador 270cc
20	16-33571	Gommino passafili volano	Grommet	Caout. Passe-fils volant	Puffer	Goma pasacables volante
21	25-60168	Piastra statore per volano "aet"	Plate statore	Plaque stator volant "AET"	Halteplatte	Placa sator volant AET
22	28-97811	Statore per volano	Stator assy,elect.flywheel	Stator volant	Grundplatte Zündung	Stator del volante
23	27-00366	Rotore per volano	Rotor assy	Rotor volant	Schwungrad	Rotor volante
24	31-03615	Volano digitale	Electric flywheel	Volant digital	Schwungrad	Volante magnetico
25	31-45000	Vite brugola 6x30	Screw 6x30	Vis a tete a six pans 6x30	Schraube 6x30	Tornillo
26	10-41151-0-67	Anello distanziale cop. volano	Flyweel cover spacer	Bague entretoise cov. Volant	Zündung deckel distanz	Distanciador cubre volante

* Per motore/For engine/Pour le moteur/Betrifft den motor/Por el motor/125cc
+ Per motore/For engine/Pour le moteur/Betrifft den motor/Por el motor/200cc
° Per motore/For engine/Pour le moteur/Betrifft den motor/Por el motor/250cc
Per motore/For engine/Pour le moteur/Betrifft den motor/Por el motor/270cc

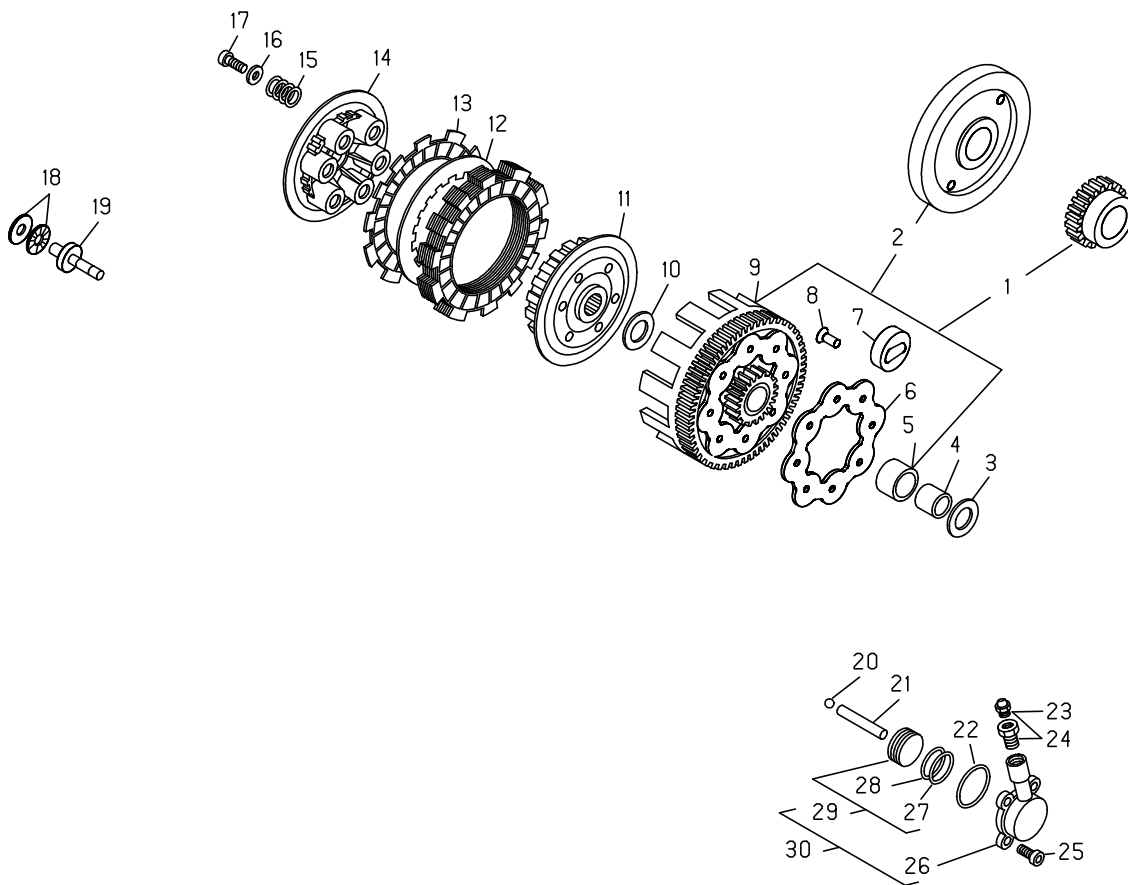
PWK 28

No.	cod. Beta	Descrizione	Description	Beschreibung	Description	Descricion
2	1255241 000	Comando avv. freddo	Starter valve comp	Kaltstarteinrichtung	Commande démarrage à froid	Mando arranque
3	1617341 000	Galleggianti	Float	Schwimmer	Flotteurs	Flotador
4	3102185 800	Vaschetta	Float Bowl Comp.	Schwimmerkammer	Cuve	Tapon
5	1650537 000	Guarnizione	Gasket float bowl	Dichtung	Joints	Guarnicion
6	2901282 000	Tappo	Plug screw	Stopfen	Bouchon	Tapon
7	1042667 000	Or	o-ring, plug screw	O-Ring	Or	Or
8	2894288 000	Spillo ing. Benzina	Float valve comp	Benzinnadel	Aiguille essence	Aguja gasolina
10	1642347 000	Getto minimo 42	Slow jet 42	Leerlaufduese 42	Gigleur ralenti 42	Difusor minimo 42
10	1642349 000	Getto minimo 45	Slow jet 45	Leerlaufduese 45	Gigleur ralenti 45	Difusor minimo 45
10	1642348 000	Getto minimo 48	Slow jet 48	Leerlaufduese 48	Gigleur ralenti 48	Difusor minimo 48
10	1642344 000	Getto minimo 50	Slow jet 50	Leerlaufduese 50	Gigleur ralenti 50	Difusor minimo 50
10	1642357 000	getto minimo 35	Slow jet 35	Leerlaufduese 35	Gigleur ralenti 35	Difusor minimo 35
11	2894281 000	spillo 46JJJ	needle 46JJJ	Nadel 46JJJ	Aiguille 46JJJ	Aguja 46JJJ
11	2894282 000	spillo 46JHH	needle 46JHH	Nadel 46JHH	Aiguille 46JHH	Aguja 46JHH
11	2894283 000	spillo 46JJK	needle 46JJK	Nadel 46JJK	Aiguille 46JJK	Aguja 46JJK
11	2894284 000	spillo 46JJG	needle 46JJG	Nadel 46JJG	Aiguille 46JJG	Aguja 46JJG
11	2894285 000	spillo 46JHL	needle 46JHL	Nadel 46JHL	Aiguille 46JHL	Aguja 46JHL
11	2894286 000	spillo 46JHG	needle 46JHG	Nadel 46JHG	Aiguille 46JHG	Aguja 46JHG
11	2894287 000	spillo 46JHN	needle 46JHN	Nadel 46JHN	Aiguille 46JHN	Aguja 46JHN
11	2894269 000	spillo 46LML	needle 46LML	Nadel 46LML	Aiguille 46LML	Aguja 46LML
12	1254242 000	Clip	Clip, Jet needle	Klipp	Clip	Clip
13	3111203 000	Valvola gas 4.0	Throttle valve 4.0	Gasventil 4.0	Soupape gaz 4.0	Valvula gaz 4.0
13	3111202 000	Valvola gas 3.5	Throttle valve 3.5	Gasventil 3.5	Soupape gaz 3.5	Valvula gaz 3.5
15	1256536 000	Coperchio carb	top	Vergaserdeckel	Couvercle carburateur	Tapa carburador
16	1650536 000	Guarnizione cop.	Gasket, top	Dichtung f. Deckel	Joint couvercle	Guarnicion tapa
17	1241757 800	Comando vite reg.aria	Air adjust screw Comp	Luftestellschraube	Commande vis réglage air	Mando tornillo aire
18	2239233 000	Mola registro aria	Spring, air adjuster	Luftstellfeder	Ressort calage air	Muelle registro aire
19	2239231 000	Molla	Spring, Throttle	Feder	Ressort	Muelle
20	1254243 000	Clip	Clip float valve	Klipp	Clip	Clip
21	3163671 000	Viti	Screw, float bowl	Schraube	Vis	Tornillos
26	1642301 000	Getto massimo 105	Main jet 105	Hauptduese 105	Gigleur princ. 105	Difusor maximo 105
26	1642303 000	Getto massimo 108	Main jet 108	Hauptduese 108	Gigleur princ. 108	Difusor maximo108
26	1642305 000	Getto massimo 110	Main jet 110	Hauptduese 110	Gigleur princ. 110	Difusor maximo 110
26	1642302 000	Getto massimo 112	Main jet 112	Hauptduese 112	Gigleur princ. 112	Difusor maximo 112
26	1642306 000	Getto massimo 115	Main jet 115	Hauptduese 115	Gigleur princ. 115	Difusor maximo 115
26	1642304 000	Getto massimo 118	Main jet 118	Hauptduese 118	Gigleur princ. 118	Difusor maximo 118
29	3163668 000	Vite registro minimo	Idle adjuster	Einstellschraube Leerlauf	Vis tarage ralenti	Tornillo registro minimo
30	2239232 000	Molla minimo	Spring	Feder Leerlauf	Ressort ralenti	Muelle minimo
31	2733550 000	Ritegno spillo	Collar, Th. Spring	Nadelhalter	Seeger aiguille	Recato aguja
32	3163667 000	Viti coperchio	Screw, top	Schraube f. Deckel	Vis couvercle	Tornillos tapa
33	2765911 000	Rondella	Washer	Scheibe	Rondelle	Tornillo
34	2587162 000	Polverizzatore	Needle jet	Einspritzduese	Pulvériseur	Pulverizador
35	2733551 000	Ritegno polverizzatore	Needle jet holder	Einspritzduesehalter	Seeger pulvériseur	Recato pulverizador





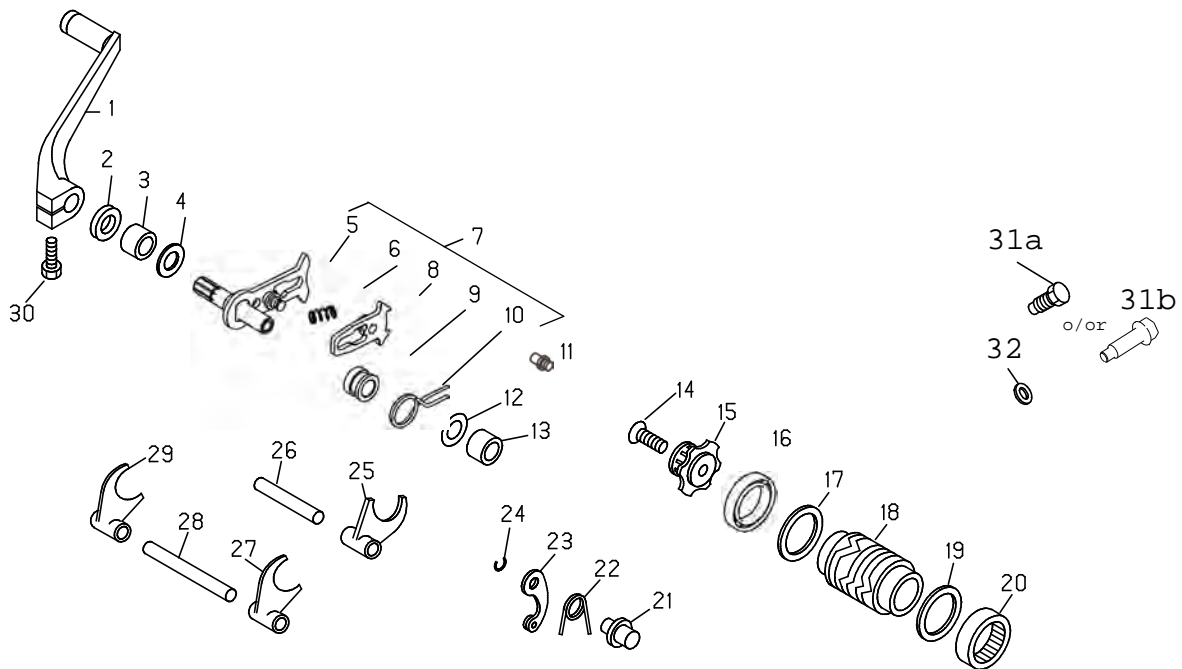
Pos	Number	Descrizione	Description	Description	Beschreibung	Descripción
20	18-82641	Ingranaggio pompa acqua	Water pump gear	Engranage pompe eau	Wasserpumpeantrieb	Engranage bomba agua
21	10-27740	Albero pompa acqua	Counter shaft	Arbre pompe eau	Wasserpumpenwelle	Ciguenal bomba agua
22	27-84100	Rullino 6x12 per forchette	Straight roller 6x12	Molette 6x12	Kegelrolle	Rodillo 6x12
23	12-93420	Cuscinetto 10x22x6	Ball bearing 10x22x6	Roulement 10x22x6	Kugellager 10x22x6	Cojinete 10x22x6
24	12-93410	Cuscinetto	Ball bearing	Roulement	Kugellager	Cojinete
25	10-44610	Anello paraolio 10x18x4	Oil seal 10x18x4	Joint spy 10x18x4	Wedi 10x18x4	Junta aceite 10x18x4
26	31-21840	Ventola pompa acqua	Pump fan	Ventilateur pompe eau	Wapurad	Ventola bobam agua
27	10-67360	Anello OR cop.pompa acqua	Water pump cover OR	OR couvercle pompe eau	O-Ring Wasserpumpenwelle	Junta tapa bomba agua
28	15-15230	Fascetta 15x25	Clamp 15x25	Collier 15x25	Schelle 15x25	Brida 15/25
29	29-15863	Tubo pompa acqua - cilindro	Cylinder water pump hose	Tube pompe cylindre	Kühlerschlauch	Tubo bomba agua-cilindro
30	15-15228	Fascetta 14x24	Clamp 14x24	Collier 14x24	Schelle 14x24	Brida 14/24
31	29-15864	Tubo radiatore - pompa acqua	Water pump radiator tube	Tube radiateur pompe eau	Kühlerschlauch	Tubo refriger. radiador/bomba
32	12-67931-0-67	Coperchio pompa acqua	Pump cover	Couvercle pompe eau	Wasserpumpendeckel	Tapa bomba agua
33	31-30000	Vite brugola 5x16	Screw 5x16	Vis a tête a six pans 5x16	Schraube 5x16	Tornillo
34	31-30490-0-51	Vite TTLIC 6x8 testa 12	Screw 6x8	Vis 6x8	Schraube 6x8	Tornillo
35	16-47500	Guarnizione 6x12x1,5	Gasket 6x12x1,5	Joint 6x12x1,5	Dichtung 6x12x1,5	Junta 6x12x1,5
36	28-22660	Seeger 9E	Seeger 9E	Seeger 9E	Seegerring 9E	Seeger 9E



Pos	Number	Descrizione	Description	Description	Beschreibung	Descripción
* 1	29-07315-8	Trasmissione primaria c/camp.	Primary drive with cup	Transmission primaire a/cloche	Primärtrieb	Trasmissione primaria c/camp.
+ 2	29-07314-8	Trasmissione primaria c/camp.	Primary drive with cup	Transmission primaire a/cloche	Primärtrieb	Trasmissione primaria c/camp.
3	27-73480	Rondella AS 20x35x1	Washer AS 20x35x1	Rondelle AS 20x35x1	Scheibe AS 20x35x1	Arandela AS 20x35x1
4	11-27130	Anello IR 20x25x20,5	Bush 20x25x20,5	Bague interne 20x25x20,5	Buchse 20x25x20,5	Junta 20x25x20,5
5	11-27140	Boccola PAP 2520 P10	Bush PAP 2520 P10	Douille PAP 2520 P10	Buchse PAP 2520 P10	Casquillo PAP 2520 P10
6	13-42962	Disco ritegno silent-block	Blocking disk silent-block	Disque d'arret silent-block	Haltescheibe Silent-Block	Disco silent-block
7	28-91840	Silent-block frizione	Silent-block	Silent-block embrayage	Silent -Block	Silent-block embrague
8	27-31642	Ribattino 5x15 TSP frizione	Rivet 5x15 TSP	Rivet 5x15 TSP embrayage	Niete	Rebattino 5x15 TSP embrague
9	12-20782	Campana frizione	Clutch housing	Cloche embrayage	Kupplungskorb	Camapna embrague
10	27-65890	Rondella spec. Tamburino	Special washer	Rondelle speciale	Spezialscheibe	Arandela esp.
11	29-09621	Tamburino frizione	Clutch center	Barillet d'embrayage	Kupplungsmietnehmer	Tambor embrague
12	13-38360	Disco acciaio	Stell plate	Disque acier	Kupplungslamelle Stahl	Disco
13	13-43310	Disco sugherite	Clutch plate	Disque en liege	Lamelle	Disco
14	12-29601	Cappello frizione	Pressure plate	Capuchon embrayage	Druckplatte f. Kupplung	Tapa embrague
15	22-65071	Molla frizione	Clutch spring	Ressort embrayage	Kuppl. Feder	Muelle
16	27-42000	Rondella 6x18	Washer 6x18	Rondelle 6x18	Scheibe 6x18	Arandela 6x18
17	11-48010	Bullone 6x16 ch10 rs	Bolt 6x16	Boulon 6x16 ch10 rs	Bolzen 6x16	Tornillo 6x16 llave 10 rs
18	16-11370	Gabbia reggispinta 15x28x2	Needle bearing 15x28x2	Cage butee 15x28x2	Nadellager 15x28x2	Jaula 15x28x2
19	25-60410	Piattello spingidisco	Special rod	Tournette pousse disque	Spezial Stange	Placa disco
20	28-90210	Sfera ø+ per frizione	Ball ø6	Sphere ø6	Kugel ø6	Bola 6
21	10-88258	Asta comando frizione	Clutch rod	Tige d'embray	Stange Kupplungsbetätigung	Varilla mando embrague
22	10-66700	Anello OR 29,32x1,5	OR 29,32x1,5	OR 29,32x1,5	Wedi 29,32x1,5	Junta torica 29,32x1,5
23	28-91050	Sfiato aria pinza posteriore	Rear pliers bleed	Event air pince arriere	hi Zange Entlüftung	Aliento aire
24	11-65030	Bullone sfiato compl.pomp/friz.	Breather pipe	Boulon event compl. pompe	Hohlschraube mit Entlüftungsnip.	Tornillo bomba/embrague
25	31-29910	Vite brugola 5x12	Screw 5x12	Vis a tete a six pans 5x12	Schraube 5x12	Tornillo
26	12-91890-9-57	Corpo pompa nudo ø28	Clutch pump cover ø28	Corps pompe nud ø28	Kupplungsnehmerzylinder 28	Protector bobma nudo 28
27	10-66520	Anello OR 23,52x1,78	OR 23,52x1,78	OR 23,52x1,78	Wedi 23,52x1,78	Junta 23,52x1,78
28	10-66510	Anello OR 21,89x2,62	OR 21,89x2,62	OR 21,89x2,62	Wedi 21,89x2,62	Junta 21,89x2,62
29	25-86930	Pistone completo ø28 com.friz.	Clutch pump piston	Piston comp. ø28 comm.embr.	Kuppl. Pumpe Kolben	Piston compl.28 mando embr.
30	12-91890-0-57	Corpo pompa con pistone ø28	Clutch pump assy ø28	Corps pompe avec pist. Ø28	Pumpe mit Kolben	Protector bomba con piston

* Per motore / For engine / Pour le moteur / Betrifft den motor / Por el motor / 125 - 200 - 270cc

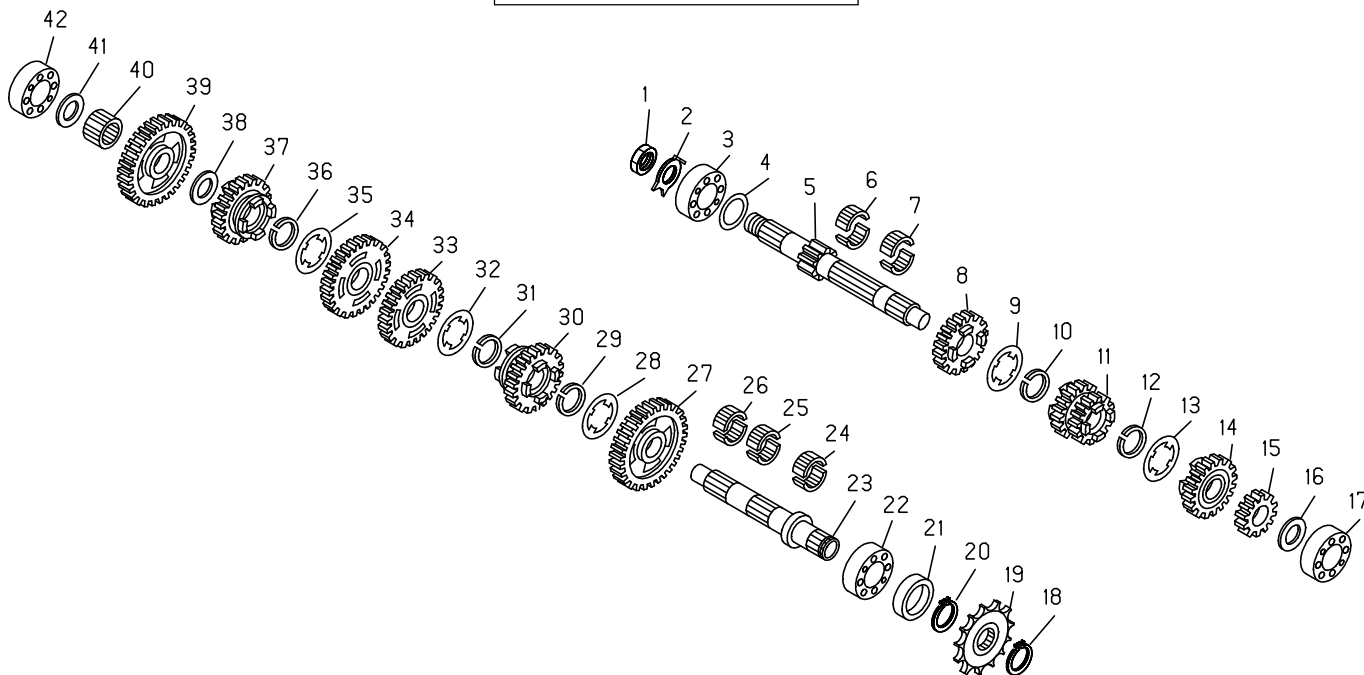
+ Per motore / For engine / Pour le moteur / Betrifft den motor / Por el motor / 250cc



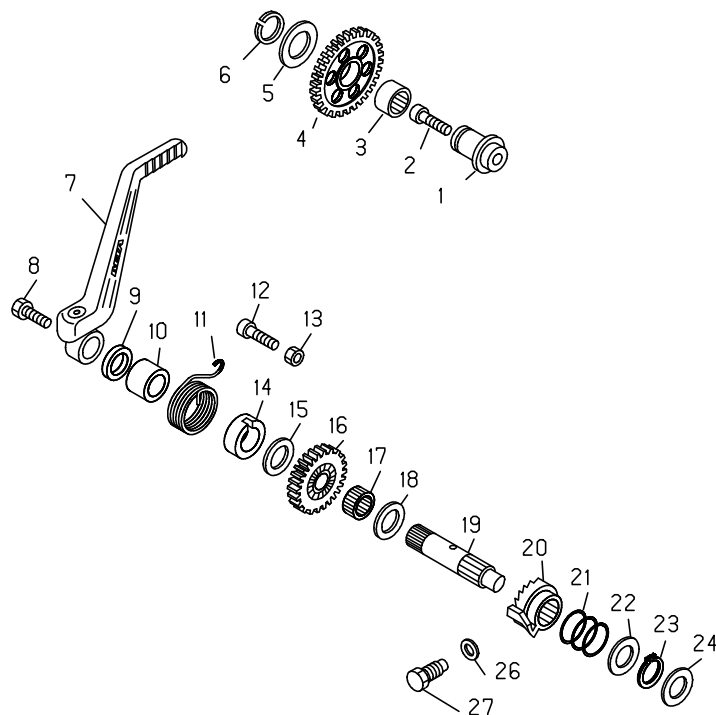
Pos	Number	Descrizione	Description	Description	Beschreibung	Descripción
1	21-21150	Leva comando cambio	Shift lever	Lever boite a vitesse	Schalthebel	Palanca mando cambio
2	10-48000	Anello paraolio 12x22x5	Oil seal 12x22x5	Joint spy 12x22x5	Wedi 12x22x5	Junta aceite 12x22x5
3	11-22200	Boccola a rulli 12x18x12	Needle bearing 12x18x12	Douille a roulements 12x18x12	Nadellager 12x18x12	Cojinete 12x18x12
4	27-60000	Rondella spess. 12x22	Washer 12x22	Rondelle epaisseur 12x22	Scheibe 12x22	Arandela 12x22
5	10-13184	Albero com. cambio	Selector shaft	Abre bolite à vitesses	Kpl. Schaltwelle	Ciguenal mando cambio
6	22-68010	Molla ventaglio	Spring shift	Ressort eventail	Schaltfeder	Muelle
7	10-13184-8	Albero com. cambio comp.	Complete selector shaft	Abre bolite à vitesses compl.	Schaltwelle kpl.	Ciguenal mando cambio comp.
8	31-20980-8	Ventaglio scorrevole con perno	Sliding hift control fork assy	Eventail coulissant avec pivot	Schaltautomat	Abanico con eje
9	13-55255	Distanziale per molla cc	Spacer for spring	Entretoise	Abstandstück	Separador
10	22-72020	Molla ritorno albero cc	Selector spring	Ressort retour arbre boite a vit.	Feder Stallung	Muelle
11	25-45231	Perno richiamo molla selettore	Pin for returning spring	Pivot rappel resoort selecteur	Pin Rückstellfed. Schaltaut	Eje muelle selector
12	27-60000	Rondella spess. 12x22	Washer 12x22	Rondelle epaisseur 12x22	Scheibe 12x22	Arandela 12x22
13	11-22200	Boccola a rulli 12x18x12	Needle bearing 12x18x12	Douille a roulements 12x18x12	Nadellager 12x18x12	Cojinete 12x18x12
14	31-30510	Vite 6x30 TSPCE	Screw 6x30 TSPCE	Vis 6x30 TEPCH	Schraube 6x30 TSPCE	Tornillo
15	12-19101	Camma arresto marce	Top Cam	Came d'arret marche	Schaltwalze	Camma cambio
16	12-99405	Cuscinetto 25x37x7	Ball bearing 25x37x7	Roulement 25x37x7	Kurbelwellenlager 25x37x7	Cojinete 25x37x7
17	27-74250	Rondella spess. 30x40x0,5	Washer 30x40x0,5	Rondelle epaisseur 30x40x0,5	Scheibe 30x40x0,5	Arandela 30x40x0,5
* 18	12-19694	Camma	Cam	Came	Nocke	Camma
° 18	12-19695	Camma	Cam	Came	Nocke	Camma
19	27-74250	Rondella spess. 30x40x0,5	Washer 30x40x0,5	Rondelle epaisseur 30x40x0,5	Scheibe 30x40x0,5	Arandela 30x40x0,5
20	11-23400	Boccola a rulli 30x37x12	Needle bearing 30x37x12	Douille a roulements 30x37x12	Nadellager 30x37x12	Cojinete 30x37x12
21	25-54430	Perno fiss. leva arresto marce	Pin locating lever	Pivot fixation lever arret marches	Pin	Eje fixation palanca
22	22-39590	Molla arresto marce	Locating spring	Ressort arret marche	Haltefeder	Muelle
23	21-17010	Leva arresto marce nuda	Locating lever	Lever arret vitesses	Arretierhebel	Palanca nuda
24	28-22700	Seeger 10E	Seeger 10E	Seeger 10E	Seegerring 10E	Seeger 10E
25	15-64590	Forchetta 28,5	Selector fork 28,5	Fourche 28,5	Schaltgabel 28,5	Horquilla 28,5
26	25-51100	Perno guida forchetta 10x60	Selector pin 10x60	Pivot guide fourche 10x60	Schaltgabel Pin 10x60	Eje horquilla 10x60
27	15-64550	Forchetta 32,5	Selector fork 32,5	Fourche 32,5	Schaltgabel 32,5	Horquilla 32,5
28	25-51110	Perno guida forchetta 10x103,5	Selector pin 10x103,5	Pivot guide fourche 10x103,5	Schaltgabel Pin 10x103,5	Eje horquilla 10x103,5
29	15-64570	Forchetta 34,5	Selector fork 34,5	Fourche 34,5	Schaltgabel 34,5	Horquilla 34,5
30	11-49510	Bullone 6x25 ch10 rs	Bolt 6x25	Boulon 6x25 ch10 rs	Bolzen 6x25	Tornillo 6.25 ch 10 rs
31a	11-46501	Bullone 6x10	Bolt 6x10	Boulon 6x10	Bolzen 6x10	Tomillo 6x10
31b	31-96826	Bullone spec.	Special bolt	Boulon spec.	Schraube	Tomillo special
32	27-58000	Rondella	Washer	Rondelle	Scheibe	Arandella

* Per motore/For engine/Pour le moteur/Betrifft den motor/Por el motor/ 125/200cc

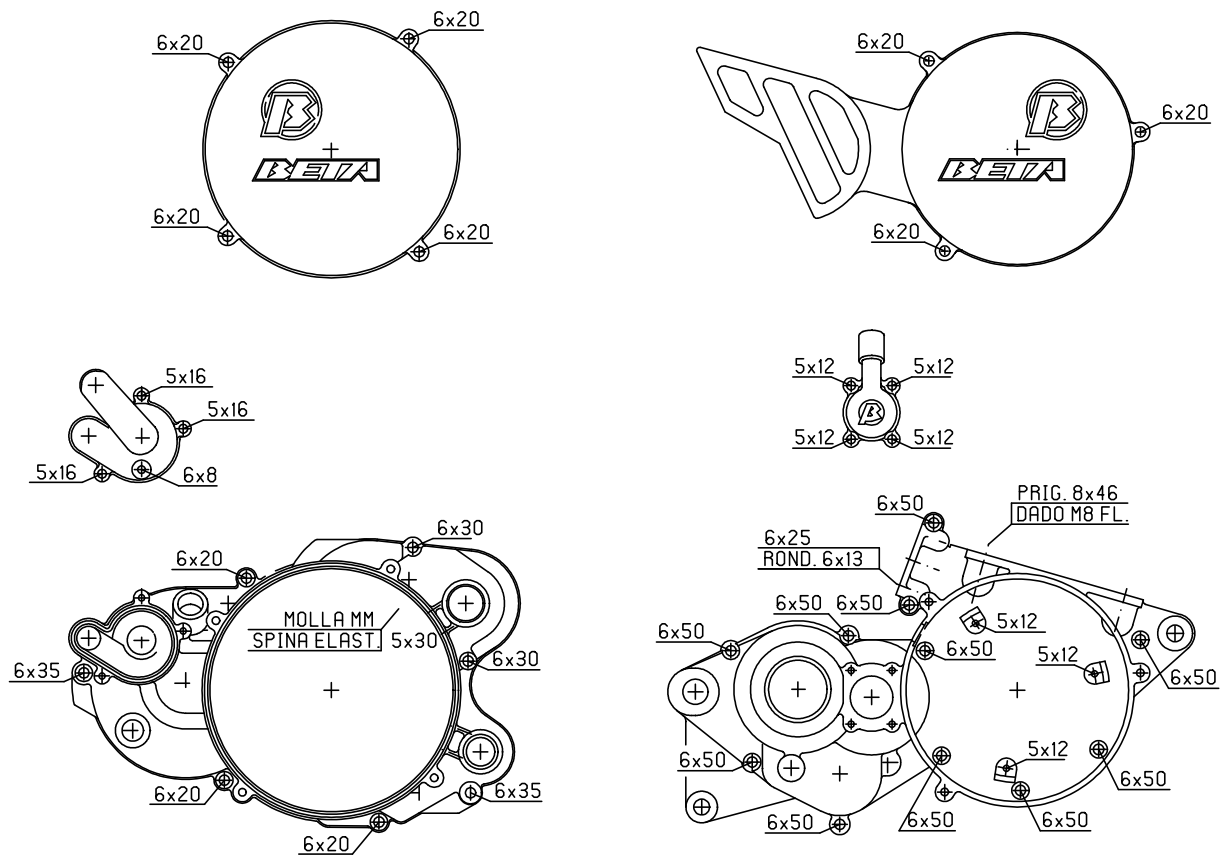
° Per motore/For engine/Pour le moteur/Betrifft den motor/Por el motor/ 250/270cc



Pos	Number	Descrizione	Description	Description	Beschreibung	Descripción
1	13-28950	Dado spec. 14x1,25x6 ch22	Special nut 16x1,25x7 ch22	Ecrou spec. 14x1,25x6 ch22	Schwinge spezial Mutter	Tuerca esp. 16x1,25x7 llave 22
2	27-74760	Rondella 14 fermadado	Special washer 14	Rondelle 14 seere-ecrou	Sicherungsblech Kupplungsk.	Arandela 14
3	12-98980	Cuscinetto20.52.15	Ball bearing	Roulement	Lager	Cojinete
4	27-73630	Rondella spess. 20x30x0,5	Washer 20x30x0,5	Rondelle epaisseur 20x30x0,5	Scheibe 20x30x0,5	Arandela 20x30x0,5
5	10-23373-8	Albero primario	Main shaft	Arbre primaire	Antriebswelle	Ciguelal
6	16-14870	Gabbia 16x21x10 2pezzi	Needle bearing 16x21x10 2pcs	Cade 16x21x10 2 pieces	Nadellager 16x21x10 2pcs	Jaula 16x21x10 2 piezas
7	16-14870	Gabbia 16x21x10 2pezzi	Needle bearing 16x21x10 2pcs	Cade 16x21x10 2 pieces	Nadellager 16x21x10 2pcs	Jaula 16x21x10 2 piezas
8	18-38491-8	Ingranaggio 5VP	5TH gear mainshaft	Engranage 5 sur 1	5 Gang-Primärwelle	Engranage 5 sobre 1
9	27-73860	Rondella speciale cambio	Special washer	Rondelle spec. boite a vitesse	Beilagscheibe	Arandela esp. Cambio
10	28-25450	Seeger 19SW	Seeger 19SW	Seeger 19SW	Seegerring 19SW	Seeger 19SW
11	18-37730-8	Ingranaggio 3/4VP	3/4 gear mainshaft	Engranage 3/4 sur 1	3/4 Gang-Primärwelle	Engranage 3/4 sobre 1
12	28-25450	Seeger 19SW	Seeger 19SW	Seeger 19SW	Seegerring 19SW	Seeger 19SW
13	27-73860	Rondella speciale cambio	Special washer	Rondelle spec. boite a vitesse	Beilagscheibe	Arandela esp. Cambio
14	18-38771-8	Ingranaggio 6VP	6TH gear mainshaft	Engranage 6 sur 1	6 Gang-Primärwelle	Engranage 6 sobre 1
15	18-32210-8	Ingranaggio 2VP	2ND gear mainshaft	Engranage 2 sur 1	2 Gang-Primärwelle	Engranage 2
16	27-64500	Rondella spess. 15x25	Washer 15x25	Rondelle epaisseur 15x25	Scheibe 15x25	Arandela 15x25
17	12-94000	Cuscinetto 15X35X11	Ball bearing 15X35X11	Roulement 15X35X11	Kugellager 15x35x11	Cojinete 15x35x11
18	28-25400	Seeger 20E	Seeger 20E	Seeger 20E	Seegerring 20E	Seeger 20E
19	25-60850	Pignone Z.9	Sprocket Z.9	Pignon Z.9	Ritzel Z.9	Pignon Z.9
19	25-60843	Pignone Z.11	Sprocket Z.11	Pignon Z.11	Ritzel Z.11	Pignon Z.11
19	25-60841	Pignone Z.13	Sprocket Z.13	Pignon Z.13	Ritzel Z.13	Pignon Z.13
20	28-25400	Seeger 20E	Seeger 20E	Seeger 20E	Seegerring 20E	Seeger 20E
21	10-64050	Anello paraolio 20x37x7	Oil seal 20x37x7	Joint spy 20x37x7	Wedi 20x37x7	Junta aceite 20x37x7
22	12-98980	Cuscinetto20.52.15	Ball bearing	Roulement	Lager	Cojinete
23	10-29371-8	Albero secondario	Layshaft	Arbre secondaire	Antriebswelle	Ciguelal primario
24	16-16580	Gabbia 18.22.10	Needle bearing	Cade	Nadellager	Jaula
25	16-16580	Gabbia 18.22.10	Needle bearing	Cade	Nadellager	Jaula
26	16-16580	Gabbia 18.22.10	Needle bearing	Cade	Nadellager	Jaula
27	18-53121-8	Ingranaggio 2VS	2nd gear layshaft	Engranage 2 sur 2	2 Gang-Zahnrad	Engranage 2 sobre 2
28	27-73870	Rondella speciale cambio	Special washer	Rondelle spec. boite a vitesse	Spezialscheibe	Arandela esp. cambio
29	28-25460	Seeger 20SW	Seeger 20SW	Seeger 20SW	Seegerring 20SW	Seeger 20SW
30	18-67110-8	Ingranaggio 6VS	6TH gear layshaft	Engranage 6 sur 2	6 Gang-Zahnrad	Engranage 6 sobre 2
31	28-25460	Seeger 20SW	Seeger 20SW	Seeger 20SW	Seegerring 20SW	Seeger 20SW
32	27-73870	Rondella speciale cambio	Special washer	Rondelle spec. boite a vitesse	Spezialscheibe	Arandela esp. cambio
33	18-58941-8	Ingranaggio 3VS	3RD gear layshaft	Engranage 3 sur 2	3 Gang-Zahnrad	Engranage 3 sobre 2
34	18-64831-8	Ingranaggio 4VS	4 RD gear layshaft	Engranage 4 sur 2	4 Gang-Zahnrad	Engranage 4 sobre 2
35	27-73870	Rondella speciale cambio	Special washer	Rondelle spec. boite a vitesse	Spezialscheibe	Arandela esp. cambio
36	28-25460	Seeger 20SW	Seeger 20SW	Seeger 20SW	Seegerring 20SW	Seeger 20SW
37	18-66410-8	Ingranaggio 5VS	5TH gear layshaft	Engranage 5 sur 2	5 Gang-Zahnrad	Engranage 5 sobre 2
38	27-73560	Rondella spess. 18x27x0,8	Washer 18x27x0,8	Rondelle epaisseur 18x27x0,8	Scheibe 18x27x0,8	Arandela 18x27x0,8
39	18-43072-8	Ingranaggio 1VS	1STH gear layshaft	Engranage 1 sur 2	1 Gang-Zahnrad	Engranage 1 sobre 2
40	16-16580	Gabbia 18.22.10	Needle bearing	Cade	Nadellager	Jaula
41	27-64500	Rondella spess. 15x25	Washer 15x25	Rondelle epaisseur 15x25	Scheibe 15x25	Arandela 15x25
42	12-94000	Cuscinetto 15X35X11	Ball bearing 15X35X11	Roulement 15X35X11	Kugellager 15x35x11	Cojinete 15x35x11



Pos	Number	Descrizione	Description	Description	Beschreibung	Descripción
1	25-53190	Perno per ingr. rinvio mm	Driving gear pin	Pivot engrenage renvoi demarr.	Lagerbolz.freies Kickstarterrad	Eje engranage arranque
2	31-63890	Vite brugola 8x20	Screw 8x20	Vis a tete a six pans 8x20	Schraube 8x20	Tornillo allen tcce 8.20
3	16-16560	Gabbia 18x22x10	Needle bearing 18x22x10	Cade 18x22x10	Nadellager 18x22x10	Jaula 18x22x10
4	18-67823	Ingranaggio rinvio mm	Starter gear	Engrnagement de renvoi	Zahnrad	Engranage renvio
5	27-72560	Rondella spess. 18x27	Washer 18x27	Rondelle epaisseur 18x27	Scheibe 18x27	Arandela 18x27
6	28-25300	Seeger 18E	Seeger 18E	Seeger 18E	Seegerring 18E	Seeger 18E
7	21-55161	Leva messa in moto	Kickstarter lever	Levier demarrage	Kickstarter	Palanca arranque
8	11-54521	Bullone 8x16 rs c/rond. ch10	Bolt 8x16 ch10	Boulon 8x16 rs a/rondelle ch10	Schraube 8x16 ch 10	Tornillo 8.16 rs c/arandela
9	10-56015	Anello paraolio 16x22x4	Oil seal 16x22x4	Joiny spy 16x22x4	Wedi 16x22x4	Junta aceite 16x22x4
10	11-31066	Boccola sinterizz. 16x22x12,5	Sintered bush 16x22x12,5	Douille frittee 16x22x12,5	Hülse 16x22x12,5	Casquillo 16x22x12,5
11	22-78972	Molla ritorno leva mm	Kickstarter spring	Ressort de retour	Feder Kickstarter	Muelle
12	31-34510	Vite brugola 6x20	Screw 6x20	Vis a tete a six pans 6x20	Schraube 6x20	Tornillo
13	13-11500	Dado 6x3,5 ch10	Nut 6x3,5	Ecrou 6x3,5 ch10	Mutter 6x3,5	Tuerca 6x3,5 llave 10
14	13-55230	Distanziale messa in moto	Kickstarter spacer	Entretoise demarrage	Distanz Kickstarter	Distanciadador arranque
15	27-67500	Rondella spess. 16x25	Washer 16x25	Rondelle epaisseur 16x25	Scheibe 16x25	Arandela spec. 16.25
16	18-14632-8	Ingranaggio mm	Starter gear	Engrnagement demarrage	Zahnrad Kickstarter	Engranage arranque
17	16-14300	Gabbia 16x20x10	Needle bearing 16x20x10	Cade 16x20x10	Nadellager 16x20x10	Jaula 16x20x10
18	27-67500	Rondella spess. 16x25	Washer 16x25	Rondelle epaisseur 16x25	Scheibe 16x25	Arandela spec. 16.25
19	10-15133-8	Albero messa in moto	Starter shaft	Abre demarrage	Kickstarter	Ciguenal arranque
20	22-14111-8	Manicotto mm	Kickstarter sleeve	Douille demarrage	Kickstarter Muffe	Manguito arranque
21	22-36561	Molla per manicotto	Spring	Ressort	Feder	Muelle manguito
22	27-73630	Rondella spess. 20x30x0,5	Washer 20x30x0,5	Rondelle epaisseur 20x30x0,5	Scheibe 20x30x0,5	Arandela 20x30x0,5
23	28-25400	Seeger 20E	Seeger 20E	Seeger 20E	Seegerring 20E	Seeger 20E
24	27-64500	Rondella spess. 15x25	Washer 15x25	Rondelle epaisseur 15x25	Scheibe 15x25	Arandela 15x25
26	16-52000	Guarnizione 12x16x1,5	Gasket 12x16x1,5	Joint 12x16x1,5	Dichtung 12x16x1,5	Junta 12x16x1,5
27	11-65501	Bullone speciale per manicotto	Special bolt	Boulon spec. Pour douille	Spezialschraube	Tornillo especial



VITI FISSAGGIO CARTER E PARTICOLARI NON FIGURANTI
CRANKCASE FIXING SCREW AND NOT MENTIONED COMPONENTS
VIS DE FIXATION CARTER ET PARTICULIERS PAS MENTIONNES
FESTIGUNGSSCHRAUBGEHÄUSE UND ANDERE TEILE NICHT VERZEICHNET
TORNILLOS PARA FISAR EL CARTER Y PARTICULARES NO FIGURADOS

Pos	Number	Descrizione	Description	Description	Beschreibung	Descripción
	12-00735-8	Cambio completo	Complete gearbox	Boite a vitesses complet	Getriebe kpl.	Cambio completo
	20-00211	Kit livello benzina	Level fuel kit	Jeu niveau essence	Satz stand Benzin	Juego nivel gasolina
	22-05053-8	Messa in moto compl.vendita	Complete kickstarter	Demarrage complet vente	Kickstarter kpl.	Arranque completo
	28-06872-8	Ser.anelli paraoli Kit oil seal	Kit oil seal	Jeu bagues spy	Satz Wellendich.	Juego juntas
	28-08082-8	Serie guarnizioni 125cc	Kit gasket 125cc	Jeu joint 125cc	Dichtsatz 125cc	Juego guarnicion 125cc
	28-08083-8	Serie guarnizioni 250cc	Kit gasket 250cc	Jeu joint 250cc	Dichtsatz 250cc	Juego guarnicion 250cc
	28-08084-8	Serie guarnizioni 270cc	Kit gasket 270cc	Jeu joint 270cc	Dichtsatz 270cc	Juego guarnicion 270cc
	28-08085-8	Serie guarnizioni 200cc	Kit gasket 200cc	Jeu joint 200cc	Dichtsatz 200cc	Juego guarnicion 200cc

